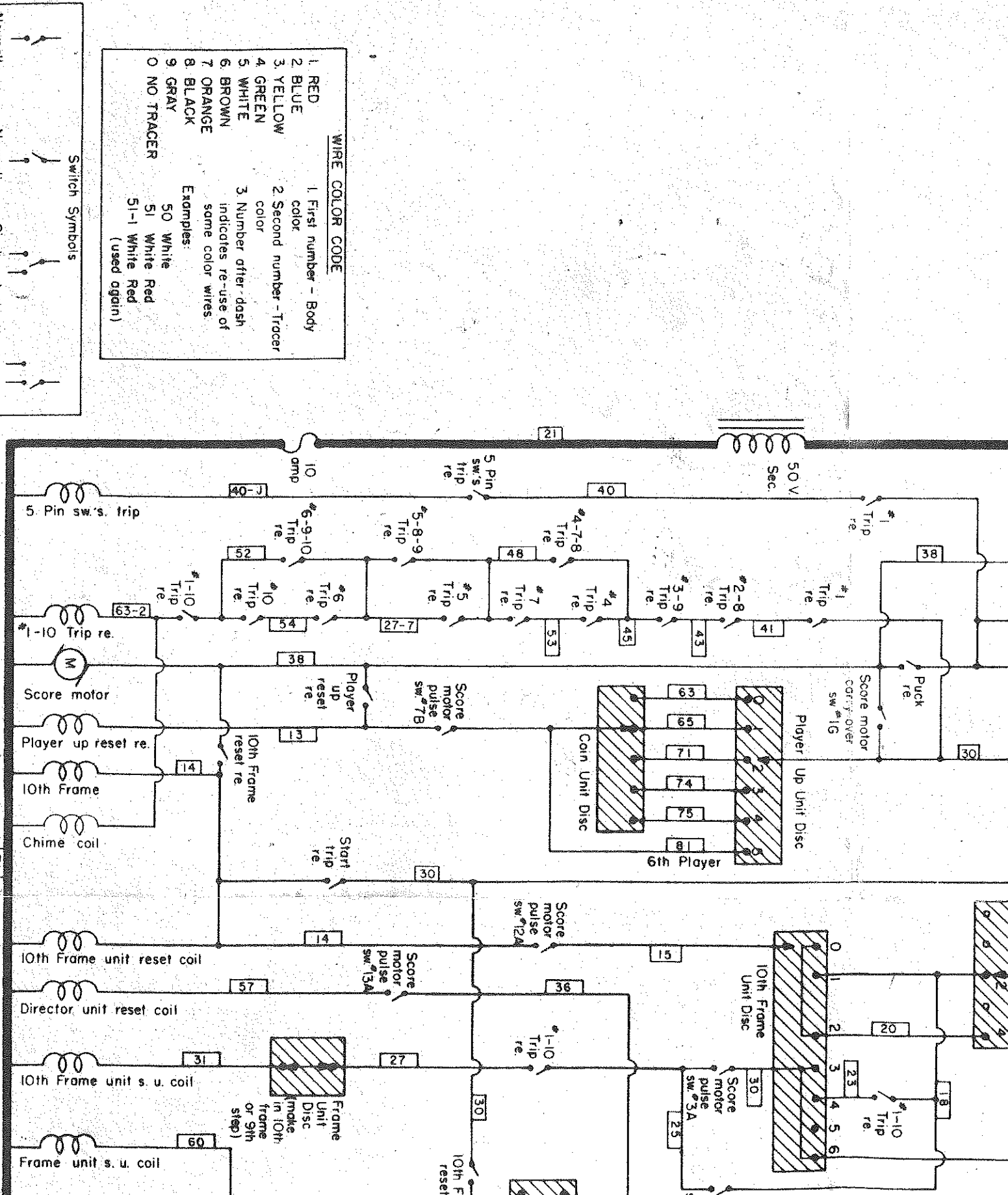


Abbreviations
 Adj. --- Adjustment
 Re. --- Relay
 S. U. --- Step Up
 Sw. --- Switch

ABC BOWLER 569 & K-144

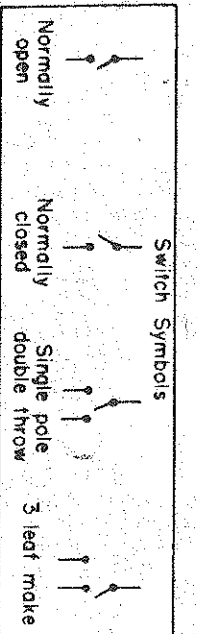


WIRE COLOR CODE

- 1 RED
- 2 BLUE
- 3 YELLOW
- 4 GREEN
- 5 WHITE
- 6 BROWN
- 7 ORANGE
- 8 BLACK
- 9 GRAY
- 0 NO TRACER

1 First number - Body color
2 Second number - Tracer color
3 Number after dash indicates re-use of same color wires

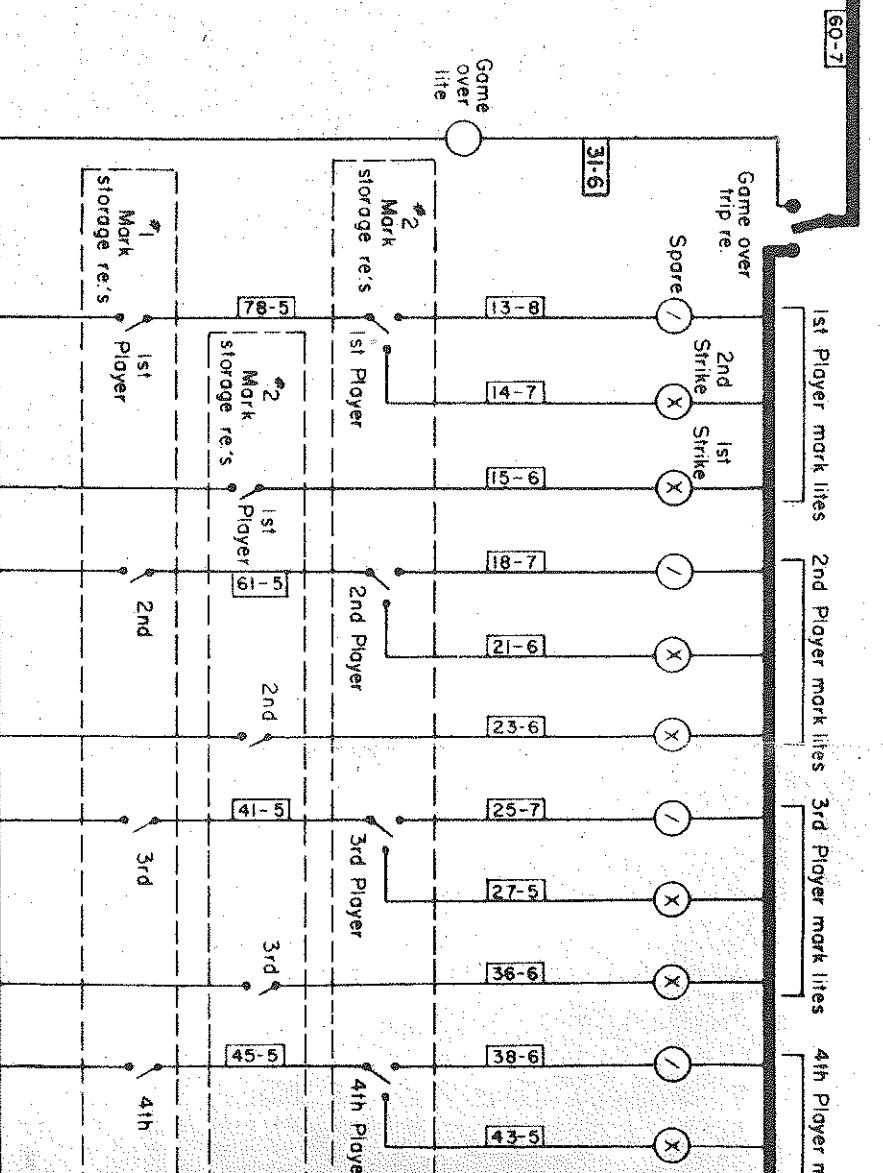
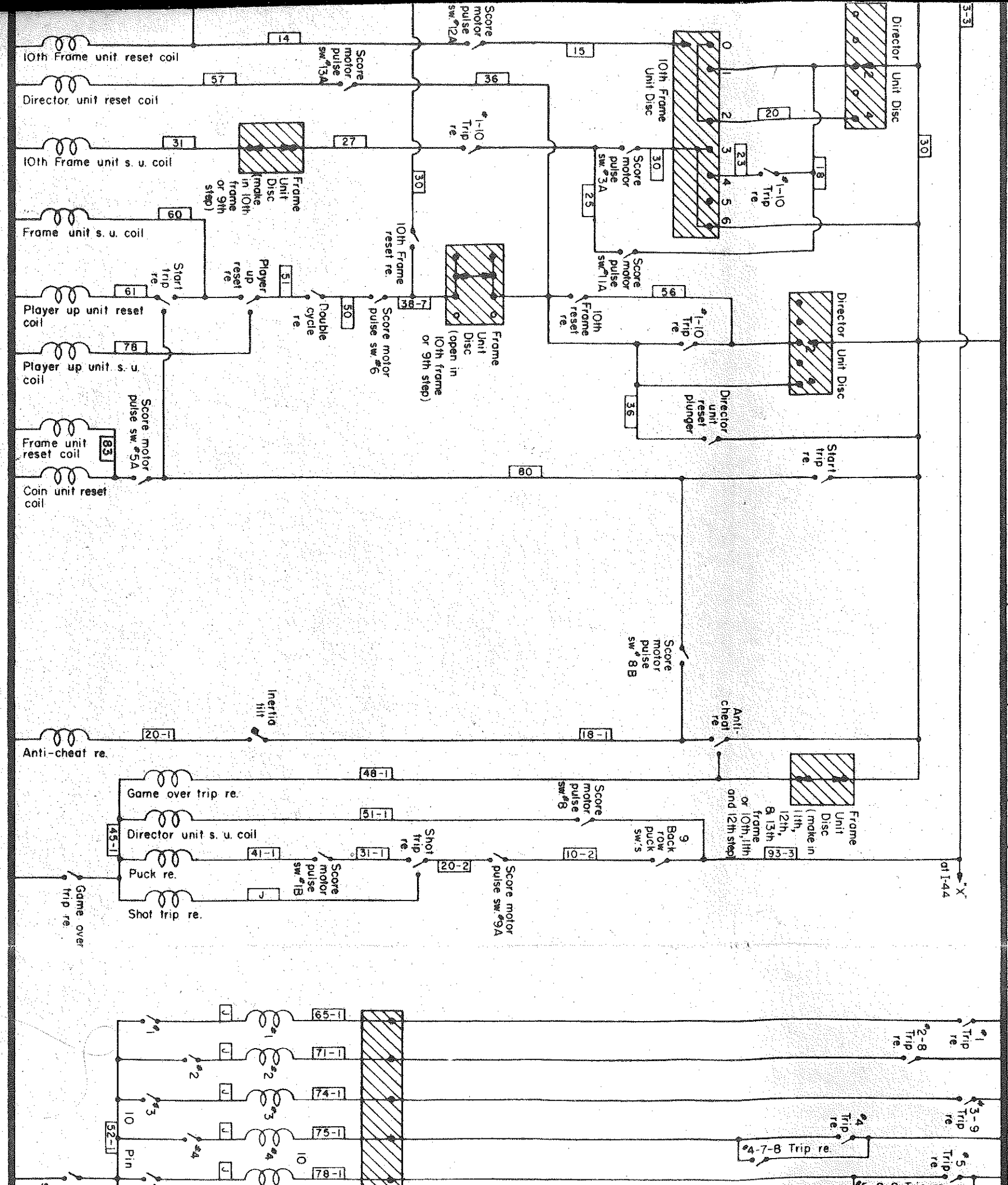
Examples:
50 White
51 White Red
51-1 White Red (used again)



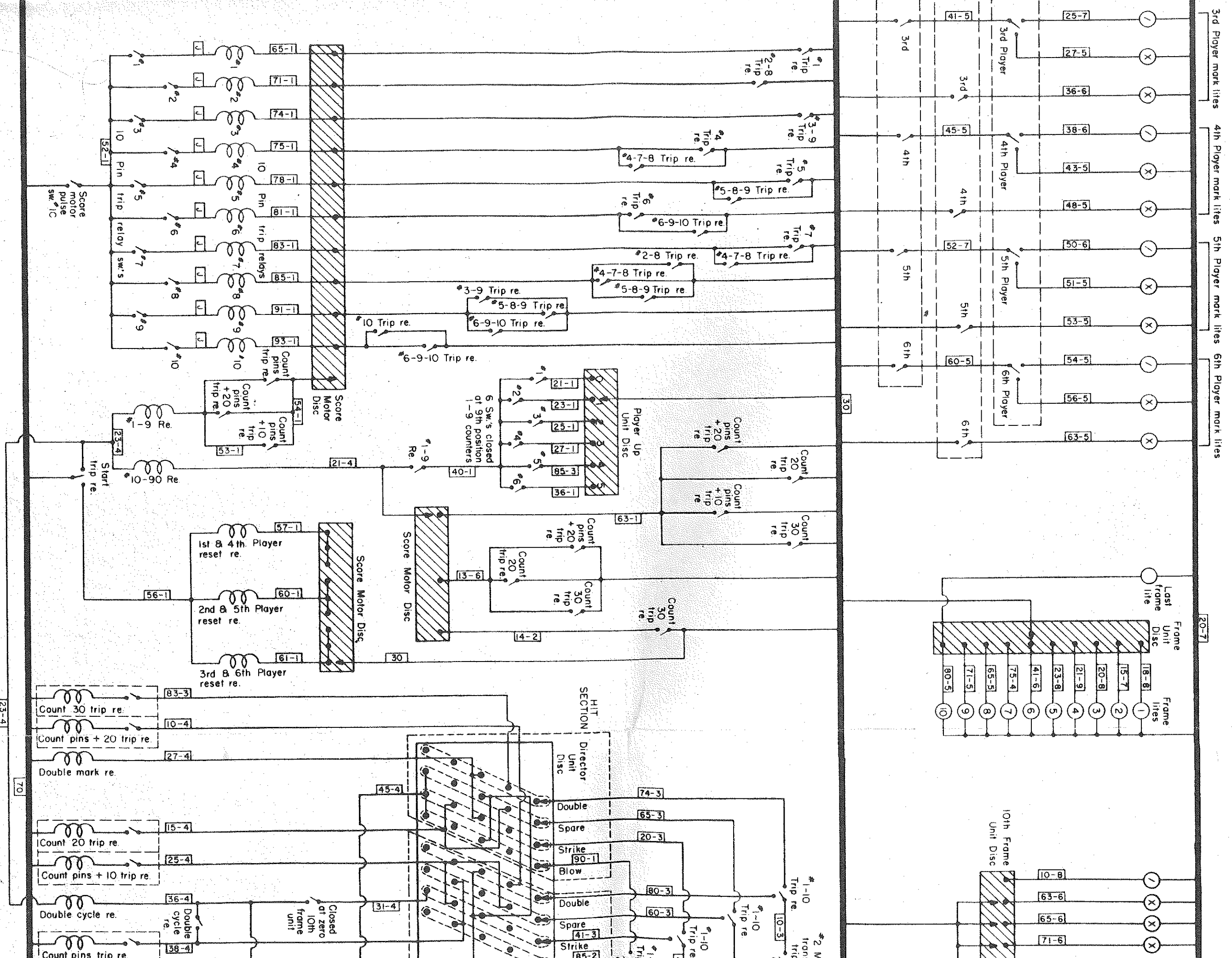
A
B
C
D
E
F
G
H
I
J
K
L
M
N

1
2
3
4
5
6
7
8
9
10

9 10 11 12 13 14 15 16 17 18 19



17 18 19 20 21 22 23 24 25 26 27

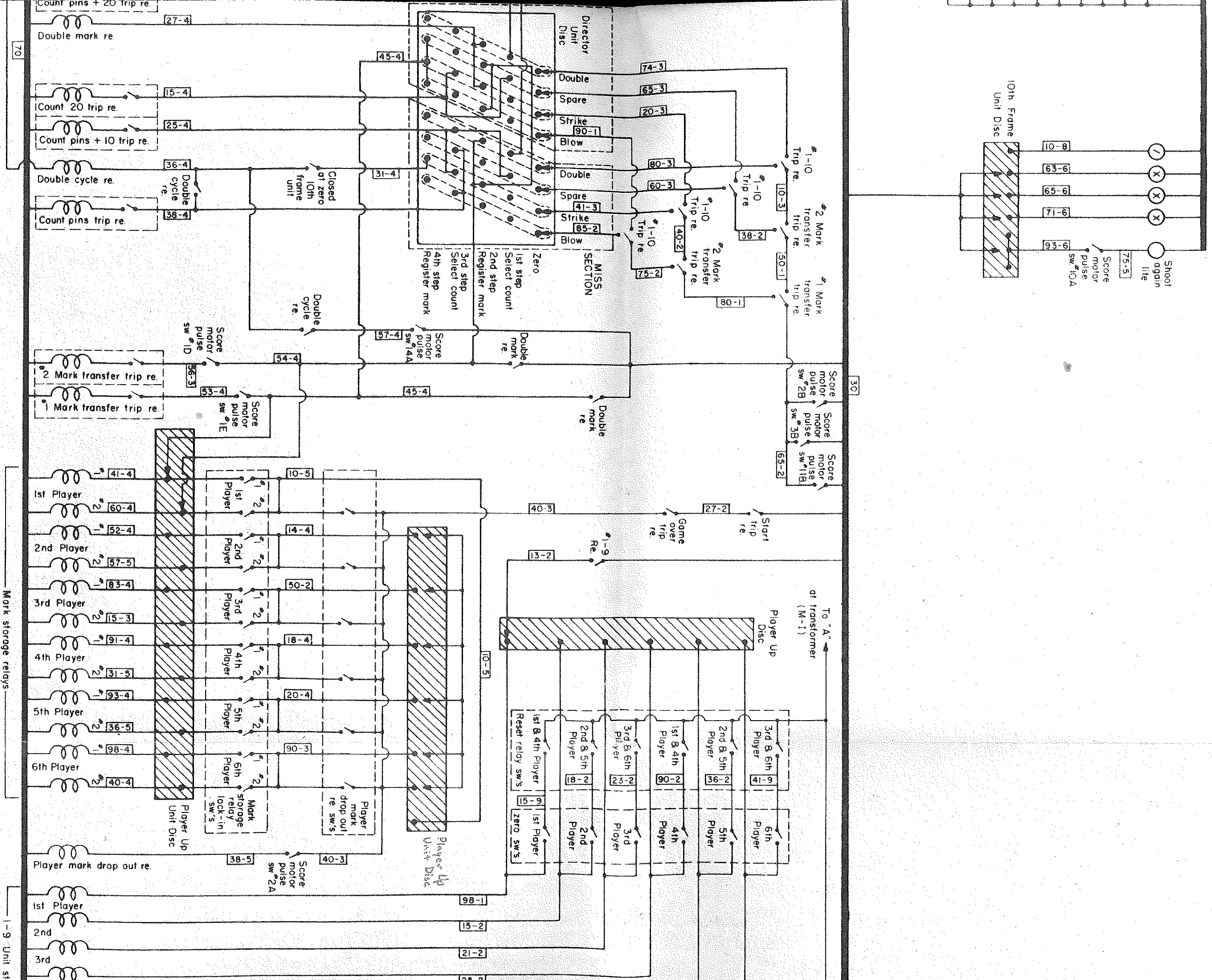


3rd Player mark lines 4th Player mark lines 5th Player mark lines 6th Player mark lines

Last Frame Unit Disc Frame lines 1 2 3 4 5 6 7 8 9 10

10th Frame Unit Disc

26
27
28
29
30
31
32
33
34
35
36



34
35
36
37
38
39
40
41
42
43
44

