

ALL GENUINE NEW  
MILLS BELLS BEAR  
THIS TRADE MARK



TRADE MARK

*Genuine*  
**Mills**

---

**BELL MACHINE PARTS  
and SERVICE MANUAL**

*Mills*  
**BELL-O-MATIC CORPORATION**  
*Exclusive Manufacturers of Milk Bell Products*

## GENERAL INSTRUCTION

### HOW TO LOAD MACHINE FOR OPERATION

Remove back door and frame lever "BA" (Photo #5) as far as it will go. Insert coins into coin chute one at a time. Pull handle after each coin is inserted. Load until coin tube and jackpot is loaded. Coins automatically flow into jackpot after coin tube is loaded. When coins start to flow into coin box, both jackpots are loaded, then push lever "BA" (Photo #5) back to its original position. Replace door and machine is ready for operation.

### HOW TO REMOVE MECHANISM FROM CASE

Remove back door. Remove top rear section Code "E" (Photo #1) by lifting catches Code "F" & "C" (Photo #2) then remove two thumb screws located at back right and left side clamps of mechanism base. Raise mechanism clamps "M" & "N" (Photo #2) and slightly raise and pull out mechanism.

When replacing mechanism be sure that operating lever for Code "AB" (Photo #5) is in proper position below handle starting lever, Code "L" (MLB-5936-CSP) (Photo #2). Care should be taken to see that none of the levers or springs are bent or broken as mechanism is being replaced into case. Be sure to securely fasten mechanism into case with thumb screws and by lowering mechanism clamps.

**CAUTION:** To avoid bending jackpot trip lever when inserting mechanism into case, jackpot to be closed and payout slides to be in the out position.

**CAUTION:** When inserting or removing mechanism from case, hold 7-7-7 payout lever (Photo #6 Code XX) out to prevent jamming of 7-7-7 token award chute lever.

### IF JACKPOT FAILS TO DELIVER

When replacing mechanism be sure that jackpot is closed and payout slides are in the out position. See that operating lever Code "AB" (FOK-3297-A-CSP) (Photo #5) is in the proper position below handle starting lever Code "L" (MLB-5936-CSP) (Photo #2).

Check spring Code "AE", "AD" and "AL" (Photo #8) to see if they are stretched out of shape or broken.

See that shoulder screw Code "AM" (Photo #8) does not become tight so as to bind lever Code "D" (Photo #8) from working freely.

### IF RESERVE JACKPOT FAILS TO DELIVER

See that springs Code "AB" and "AE" which operate lever Code "C" (Photo #8) are not broken or stretched out of shape or that screw Code "J" (Dog Point Screw) (Photo #8) does not bind lever Code "H" (Photo #8).

See that lever "XX" (Photo #8) drops down to engage in notch of push bar Code "T" (Photo #4) after jackpot is delivered.

The correct operation of reserve jackpot is as follows: On next play following jackpot lever "XX" (Photo #8) is engaged with push bar Code "T" (Photo #4) and push bar Code "T" then starts to travel forward and at the same time spring Code "AA" (Photo #8) causes lever Code "C" (Photo #8) to fall behind reserve locking lever Code "F" (Photo #8) and jackpot will close and reserve jackpot will open as handle is pulled down. Reserve jackpot will stay open until next play when lever Code "D" (Photo #8) engages into notch of push bar Code "T" (Photo #4). Then push bar Code "T" travels forward and releases operating lever dog Code "C" (Photo #8) to close reserve jackpot.

### WHEN MECHANISM FAILS TO DELIVER PROPER NUMBER OF COINS

If mechanism delivers too many coins at intervals, the trouble in most cases is that a few thin or under-size coins have been played in succession and stacking up in your coin tube they do not cover correct area of standard size coins.

If mechanism repeatedly pays out too many coins or pays short, or does not pay at all, check up payout mechanism thoroughly as follows: First see that there are plenty of coins in coin tube and that they lay flat in tube. Examine payout slides (Photo #3) to see that coins are not wedged in opening. This would prevent machine from paying out. If coins are wedged in payout slides, unhook springs from bracket Code "H" (Photo #6) remove payout slide stop Code "D" (Photo #3) then remove payout slides and examine bronze springs to see that they are not loose. If so, reset same and see that they are level with outside runner of payout slides. Ends of bronze springs are formed up about 1/8 inch and are intended to prevent coins from slipping between slides. If formed end of bronze spring is broken off it should be replaced.

When replacing payout slides back into mechanism, slides and coil springs must be replaced in order removed. If coil springs are stretched or detached lever cannot be pulled in proper position for payout.

Examine perpendicular levers Code "A, C, E, G, J, & L" (Photo #5) and coil springs Code "B, D, F, H, K, & M" (Photo #5) to see that levers are not bent and springs are not stretched or detached.

See that payout slide push bar Code "AF" (Photo #3) moves payout slides forward about 1/8 inch beyond payout slide stop lever Code "AH" (Photo #3). This will let payout slide stop lever to swing inward and stop slides from going in against lower payout levers Code "U, W & T" (Photo #6) when reels begin to revolve. Timing lever Code "AW" (Photo #3) thus will start travelling backward from action of clock spring Code "G" (Photo #6) and lock lever Code "AH" (Photo #6) will release payout slides as timing lever releases disc stop levers Code "A, B, & C" (Photo #4) and cause them to fall against reel stop stars.

See that spring Code "AC" (Photo #3) which connects payout slide push bar Code "AF" (Photo #8) with operating fork is not stretched or broken.

### HOW TO DRAIN CONTENTS OF MACHINE.

Remove back door. Hold coin detector operating lever Code "S" (Photo #5) with finger to keep it from traveling forward as handle is pulled down. When handle is pulled down reels will start to spin, then move lower payout slide stop levers Code "R, S, & T" (Photo #6) with finger slightly to the left. Thus disengaging said levers from payout slide. This action will cause 20 payout and jackpot to deliver. Keep repeating same operation until machine is empty.

### IF REELS FAIL TO REVOLVE

See that grab hook on arm of reel operating lever Code "F" (Photo #3) travels upward and along edges of all three large steel reel discs until it drops into notches properly. This grabbing action sets reels in motion when operating fork dog Code "AE" (Photo #5) releases from Fork stop pin Code "BG" (Photo #5 as handle is pulled down.

See that disc stop lever Code "AR" (Photo #3) prevents discs from moving before grab hook Code "F" (Photo #3) sets reels into motion, and that disc stop lever Code "AR" (Photo #3) swings back to give reels room to revolve.

Be sure clock assembly Code "F" (Photo #6) which is the timer for mechanism is in good working order and operates freely.

See that clock spring Code "G" (Photo #6) is not stretched out of shape or broken.

### HOW TO ADJUST SPEED REELS

Careful attention in adjusting speed of reels should be taken. Improper adjustments might result in serious damage. If reels spin too fast and stop with jarring bounce, tighten brake spring Code "X" (Photo #6). The reels then should stop at about the same time that reel stop levers Code "A, B, & C" (Photo #4) fall against reel stop stars. To speed up reels, bend ends of clock fan on clock Code "F" (Photo #6). To slow up reels straighten out ends of above mentioned clock fan.

### HOW TO REMOVE REELS ASSEMBLY FROM MECHANISM

Remove mechanism from case.

Play machine by holding coin detector lever Code "S" (Photo #5) back to keep it from traveling forward. Play mechanism thru by operating main operating lever Code "AB" (Photo #5).

When reels spin stop clock fan, hold clock fan by laying a screw driver across operating fork and clock fan.

Remove reel brake wires Code "X" (Photo #6). Loosen shoulder screw Code "J" (Photo #4). Unscrew and remove reel shaft Code "H" (Photo #4) lift reels upward and from machine.

To replace reels reverse the above mentioned process.

After reels are replaced, shaft and shoulder screw Code "J" are to be tightened. Reel brake wire adjusted. Operate main operating lever Code "AB" (Photo #5) thru to spin reels to check for proper spinning of reels. See how to adjust speed of reels.

### HOW TO REMOVE REEL OPERATING LEVER ASSEMBLY

To remove reel operating lever assembly Code "F" (Photo #3) from mechanism assembly, remove coin tube assembly Code "X" (Photo #4). Unhook extension spring Code "H" (Photo #3) at bracket Code "H" (Photo #6) turn grab hook towards front of mechanism so that top end of grab hook clears reel discs - slip grab hook of stud holding assembly.

To assemble grab hook to mechanism reverse the procedure followed above.

**CAUTION:** When replacing coin tube assembly, be sure that coin overflow push out lever Code "U" (Photo #3) is in slot at upper end of coin tube.

Failing to follow the above instructions will result in jamming coin tube.

Mills Bells are sufficiently lubricated when they are shipped to take care of heavy working parts for six months. When necessary to lubricate heavy working parts use vaseline in spots where friction is created.

Bearings should be oiled every six months with best grade sewing machine oil.

Clean clock works frequently with gasoline to remove grit from teeth of pinions. Put a few drops of 3-in-1 oil or any good grade sewing machine oil on each pinion. Do not use a cheap, heavy lubricating oil for this purpose.

Under no circumstances should pay-out slides be oiled or greased as this will cause them to stick. Slides should be cleaned frequently with gasoline and see that they are kept free from dirt at all times.

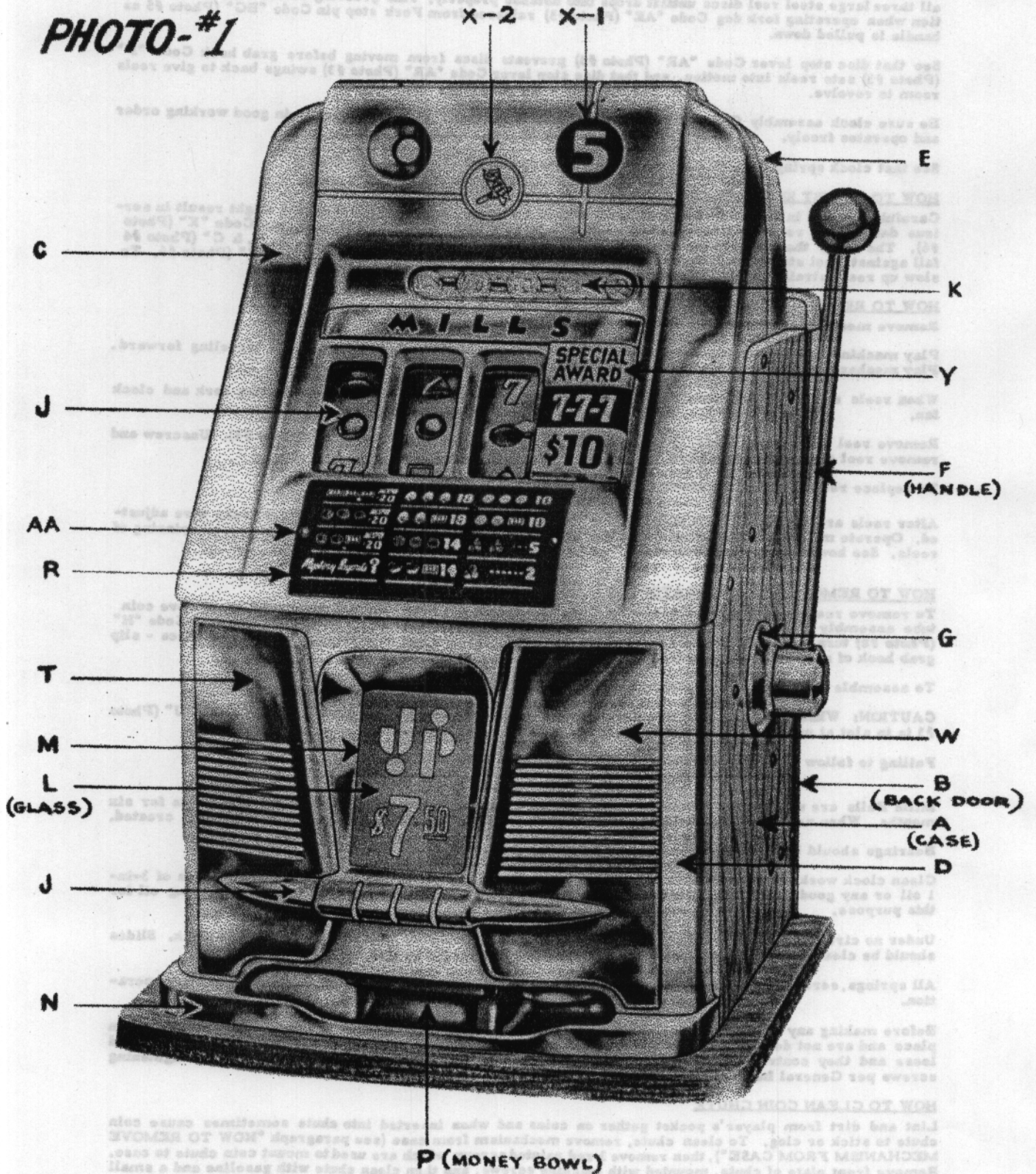
All springs, screws, nuts and levers should be inspected occasionally to see that they are in perfect operation.

Before making any adjustments for any troubles which may arise, first check to see that all springs are in place and are not deformed, or broken. Also check to see that all screws are tight. If screws are found loose and they control an adjustment then that particular adjustment must be checked before tightening screws per General Instructions.

### HOW TO CLEAN COIN CHUTE

Lint and dirt from player's pocket gather on coins and when inserted into chute sometimes cause coin chute to stick or clog. To clean chute, remove mechanism from case (see paragraph "HOW TO REMOVE MECHANISM FROM CASE"), then remove 3 red painted screws which are used to mount coin chute to case. Remove front plate of chute, mounted with machine screws, and then clean chute with gasoline and a small fine brush. After gasoline has evaporated, replace front plate and screws and mount coin chute back into case.

**PHOTO-#1**



**P (MONEY BOWL)**

PHOTO #1

VIEW - CASE, CASTINGS & ORNAMENTS

CODE	PART NO.	DESCRIPTION
A	MLB-8458-2-CSP MLB-8464-2-CSP	Cabinet Assembly 5¢, 10¢, 25¢ Cabinet Assembly 50¢
B	MLB-7416-2-CSP MLB-636-B MLB-1794 MODEL 6013	Back Door Assembly Backdoor Lock Plate Backdoor Nut Shield Lock & Key Assembly
C	MLB-7905-9 MLB-8000-9	Upper Front Casting 5¢, 10¢, 25¢ Upper Front Casting 50¢
D	MLB-8450-8 MLB-8003-8	Lower Front Casting 5¢, 10¢, 25¢ Lower Front Casting 50¢
E	MLB-7710-14-CSP	Top Rear Casting
F	MLB-8573-CSP MLB-7621-7 Old Style Not Shown	Handle
G	MLB-7411	Handle Bushing
H	Old Style-Not Shown	3/8-16 X 2 Carriage Bolt (Chrome Pl. Head)
J	MLB-1778	Reel Window Glass
K	MLB-2654  MLB-2679 MLB-3127-A MLB-3133-A	Escalator Glass Frame (5¢, 10¢, 25¢) Escalator Glass 5¢, 10¢, 25¢ Escalator Glass Support 50¢ Escalator Glass 50¢
L	MLB-2836 MLB-7324	Jackpot Glass Jackpot Glass (Hand Load)
M	MLB-8656 MLB-8657 MLB-8658 MLB-8659	5¢ Jackpot Glass Spacer \$7.50 10¢ Jackpot Glass Spacer \$15.00 25¢ Jackpot Glass Spacer \$37.50 50¢ Jackpot Glass Spacer \$75.00
N	MLB-8721	Money Bowl Apron 5¢, 10¢, 25¢, 50¢
P	MLB-8720 MLB-8722 MLB-8409-CSP Old Style Not Shown	Money Bowl Money Bowl Cover Money Bowl Assembly 50¢
R	MLB-8446	Reward Plate 2/5
T	MLB-7921-5	Front Ornament - Left
W	MLB-7920-5	Front Ornament - Right
U	MLB-7912-5	Front Ornament - Center
X	MLB-7909-6) MLB-7910-6) MLB-7911-6) MLB-8002-6)	} Old Style } Not Shown { (5¢ Play Shield { (10¢ Play Shield { (25¢ Play Shield { (50¢ Play Shield
X-1	MLB-7624 MLB-7625 MLB-7626	
X-2	MLB-8684	Owl Ornament
Y	MLB-9046-5 MLB-9114-5 MLB-9115-5 MLB-8351-5	5¢ Reel Window Ornament \$10.00 10¢ Reel Window Ornament \$20.00 25¢ Reel Window Ornament \$50.00 50¢ Reel Window Ornament \$100.00
Z	MLB-7840	Name Plate
AA	MLB-475	Round Head Screw



PHOTO #2

VIEW - BACK VIEW OF CASE

<u>CODE</u>	<u>PART NO.</u>	<u>DESCRIPTION</u>	<u>CODE</u>	<u>PART NO.</u>	<u>DESCRIPTION</u>
A	MLB-7703-CSP MLB-7700-CSP	5¢ Coin Chute Assem._____ 10¢ Coin Chute Assem._____	Z	MLB-7925-CSP	Cash Box Assembly_____
	MLB-7706-CSP	25¢ Coin Chute Assem._____	AA	MLB-1410-CSP	Cash Box Door Assem. (Without Lock)_____
	MLB-8021-CSP	50¢ Coin Chute Assem._____	AB	MOD. 8013	Lock & Key Assembly_____
B	MLB-8455-CSP MLB-8433-CSP	Top Guard Plate Assembly Top Guard Plate Assembly 50¢_____	AC	MLB-7901-1  MLB-1643-B	Mechanism Base 5¢, 10¢, 25¢_____ Mechanism Base 50¢_____
C	MLB-2515	Reel Glass Frame_____	AD	PV-944	Washer_____
D	MLB-1778	Reel Glass_____	AE	MLB-2658	Slug Box_____
E	MLB-6821	Left & Right Cabinet Side_____ Top Guard	AF		Token Chute Assembly (See Fig. 9)
F	MLB-2763-CSP	Top Locking Lever Assem. (Left)_____	AG		Jackpot Assembly (See Fig. 8)
G	MLB-2762-CSP	Top Locking Lever Assem. (Right)_____	AH	MLB-2775-CSP  MLB-7000-CSP	5¢ Jackpot Loading Chute Assem._____ 50¢ Jackpot Loading Chute Assem._____
H	MLB-91	Rubber Bumper_____	AJ	MLB-6865	L.H. Guard Plate_____
J	MLB-6464-A-CSP MLB-6464 (Old Style)	Handle Spring Assembly_____ Handle Spring Assembly	AK	MLB-6866	R.H. Guard Plate_____
K	MLB-1069 <sup>Not shown</sup>	Mechanism Clamp Retainer	AL	MLB-7730  MLB-8414-CSP	L.H. Guard Plate (Front) 5¢, 10¢, 25¢_____ L.H. Guard Plate (Front) 50¢_____
L	MLB-5936-CSP  MLB-9031 MLB-9032 MLB-9033	Handle Starting Lever Assembly_____ Speed Lock_____ Speed Lock Adjustment_____ Cotter Shoulder Pin_____	AM	MLB-8453  MLB-8413	R.H. Guard Plate (Front) 5¢, 10¢, 25¢_____ R.H. Guard Plate (Front) 50¢_____
M	MLB-2147-CSP	Mechanism Clamp Assem. (R.H.)_____	AN	PB-35-C	Washer_____
N	MLB-2143-CSP	Mechanism Clamp Assem. (L.H.)_____			1/4-20 X 1 Long Thumb Screw
P	MLB-585-A-CSP	Handle Starting Lever Bracket Assem._____	AP	MLB-713	Clamp_____
R	MLB-3238	Handle Starting Lever Dog Ratchet_____	AS	MLB-6867	Clamp_____
S	MLB-2752-CSP	Piston Operating Lever Assem._____	AT	BD-1109	Felt Washer_____
T	MLB-742 MLB-808	Mechanism Clamp_____ Taper Pin_____	AU	MLB-7688 MLB-9029	L.H. Front Mtg. Bracket_____ R.H. Front Mtg. Bracket____
W	FOK-3091-CSP	Piston Operating Lever and Support Assembly_____	AW	MLB-7914-CSP  MLB-9000-CSP	Jackpot Mounting Bracket 5¢, 10¢, 25¢_____ Jackpot Mounting Bracket 50¢_____
X	MLB-2755-A-CSP	Piston Operating Lever Assembly_____			
Y	MLB-2784-A-CSP OWL-230	Pump Assembly_____ Leather Washer (For Pump)_____			

# PHOTO-#3

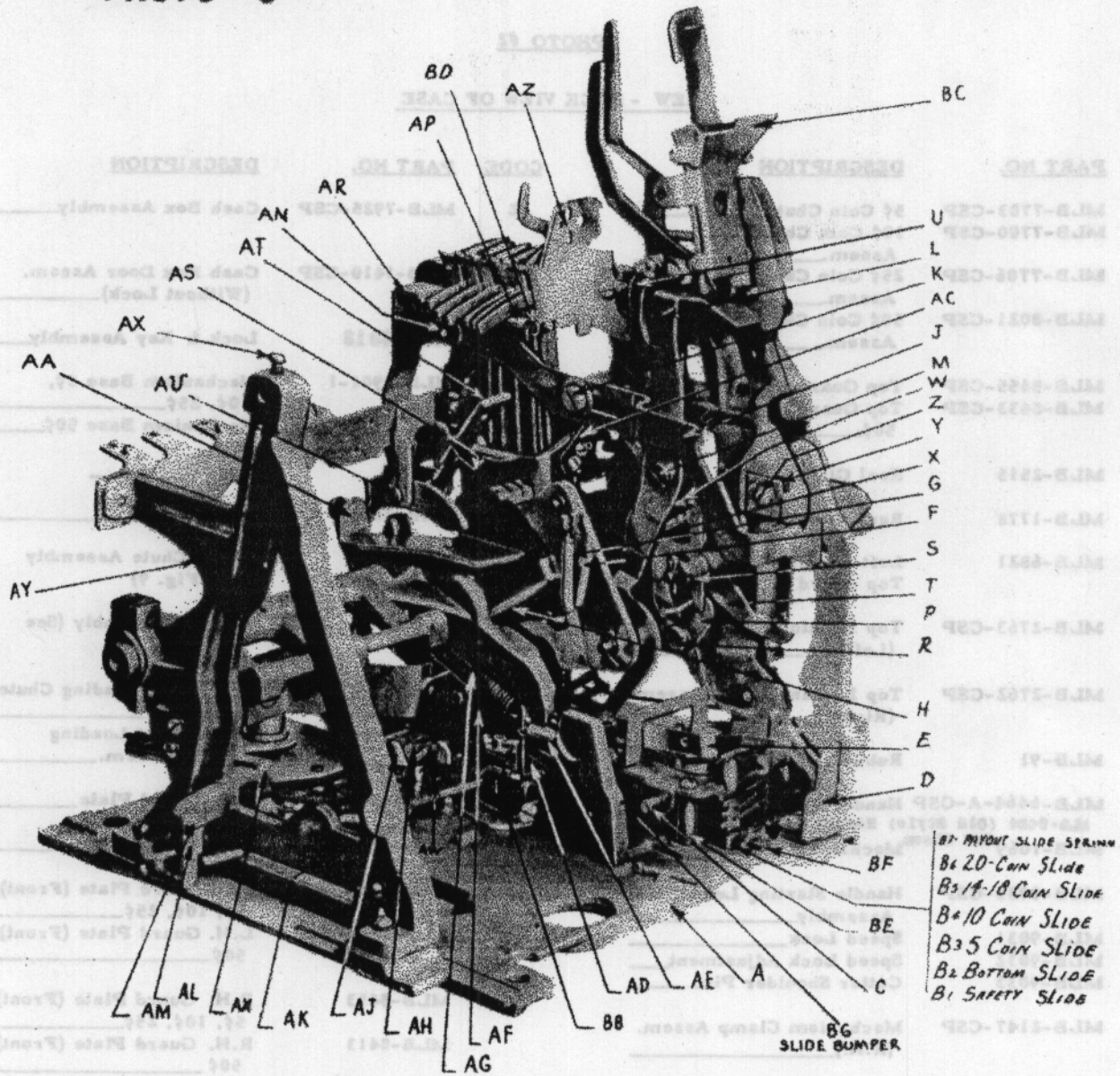


Photo #3  
View-Left Inside Mechanism

CODE	PART NO.	DESCRIPTION	CODE	PART NO.	DESCRIPTION
A	MLB-7902-1-CSP	Base & Payout Slide Posts Assem. 5¢	B-3	MLB-6830-CSP	5¢-5 Coin (Intermediate) Slide 2/5
	MLB-7902-2-CSP	Base & Payout Slide Posts Assem. 10¢		MLB-5267-CSP	5¢-5 Coin (Intermediate) Slide 3/5
	MLB-7902-3-CSP	Base & Payout Slide Posts Assem. 25¢		MLB-6842-B-CSP	10¢ 5 Coin (Intermediate) Slide 2/5
	MLB-3177-B-CSP	Base & Payout Slide Posts Assem. 50¢		MLB-3691-B-CSP	10¢ 5 Coin (Intermediate) Slide 3/5
B-1	MLB-1005	5¢ Safety Slide		MLB-6844-CSP	25¢ 5 Coin (Intermediate) Slide 2/5
	MLB-4282-A	10¢ Safety Slide		MLB-258-C-CSP	25¢ 5 Coin (Intermediate) Slide 3/5
	MLB-1007	25¢ Safety Slide		MLB-7438-CSP	50¢ 5 Coin (Intermediate) Slide 2/5
	MLB-968	50¢ Safety Slide		MLB-3689-C-CSP	50¢ 5 Coin (Intermediate) Slide 3/5
	MLB-2725	Safety Slide Spring		MLB-3809	Intermediate Slide Spring 5¢-25¢
B-2	MLB-7610-CSP	5¢ Bottom Slide Assembly 2/5		MLB-569	Intermediate Slide Spring 10¢
	MLB-7611-CSP	5¢ Bottom Slide Assembly 3/5		MLB-7940	Intermediate Slide Spring 50¢
	MLB-7633-CSP	10¢ Bottom Slide Assembly 2/5	B-4	MLB-3392-A-CSP	5¢-10 Coin (Heavy Brass) Slide Assem.
	MLB-7634-CSP	10¢ Bottom Slide Assembly 3/5		MLB-3398-C-CSP	10¢ 10 Coin (Heavy Brass) Slide Assem.
	MLB-7613-CSP	25¢ Bottom Slide Assembly 2/5		MLB-3395-A-CSP	25¢ 10 Coin (Heavy Brass) Slide Assem.
	MLB-7614-CSP	25¢ Bottom Slide Assembly 3/5		MLB-3695-CSP	50¢ 10 Coin (Heavy Brass) Slide Assem.
	MLB-7435-CSP	50¢ Bottom Slide Assembly 2/5		MLB-3809	10 Coin Slide Spring 5¢
	MLB-7433-CSP	50¢ Bottom Slide Assembly 3/5		MLB-570	10 Coin Slide Spring 10¢-25¢
	MLB-7439	Bottom Slide Spring 5¢-25¢			
	MLB-1084	Bottom Slide Spring 10¢			
	MLB-3808	Bottom Slide Spring 50¢			



Photo #3  
View-Left Inside Mechanism

CODE	PART NO.	DESCRIPTION	CODE	PART NO.	DESCRIPTION
B-5	MLB-7939	10 Coin Slide Spring 50¢	T	MLB-4506-CSP	Check Tube Lever Detecting Lever Assem.
	MLB-1420-C-CSP	5¢-14-18 Coin Slide Assembly	U	MLB-1491	Coin Overflow Push Lever 5¢, 10¢, 25¢
	MLB-3690-C-CSP	10¢ 14-18 Coin Slide Assembly		MLB-3134-A	Coin Overflow Push Lever 50¢
	MLB-1430-C-CSP	25¢ 14-18 Coin Slide Assembly		MLB-1135	Washer
	MLB-3696-C-CSP	50¢ 14-18 Coin Slide Assembly	W	MLB-2864	Extension Spring (4506-CSP)
	MLB-570	14-18 Payout Slide Spring 5¢, 10¢, 25¢	X	MLB-2733	Extension Spring (2790-CSP)
	MLB-7939	14-18 Payout Slide Spring 50¢	Y	MLB-2663	Leather Bumper
B-6	MLB-7474-CSP	5¢ Top Slide Assem.	Z	MLB-2648	Square Washer (For Leather)
	PT-4569-CSP	5¢ Top Slide Assem. Token J.P.	AA	MLB-6875-CSP	Upper Payout Push Back Lever Assem.
	MLB-7514-CSP	10¢ Top Slide Assem.	AC	MLB-2825-A	Bumper Plate
	MLB-7803-CSP	10¢ Top Slide Assem. Token J.P.	AD	MLB-4984	Payout Slide Safety Lock
	MLB-7518-CSP	25¢ Top Slide Assem.	AE	MLB-2863	Payout Slide Safety Lock Spring
	PT-4839-CSP	25¢ Top Slide Assem. Token J.P.	RIGHT INSIDE MECHANISM		
	MLB-3697-B-CSP	50¢ Top Slide Assem.	AF	MLB-4866-CSP	5¢-25¢ Payout Slide Push Bar & Oper. Lever Assem.
	MLB-8474-CSP	50¢ Top Slide Assem. Token J.P.		MLB-7635-CSP	10¢ Payout Slide Push Bar & Lever Assem.
	MLB-3809	20 Coin Payout Slide Spring 5¢-25¢		MLB-4867-CSP	50¢ Payout Slide Push Bar & Oper. Lever Assem.
	MLB-569	20 Coin Payout Slide Spring 10¢	AG	MLB-3793	Push Bar Spring 5¢, 25¢, 50¢
MLB-7940	20 Coin Payout Slide Spring 50¢		MLB-2737	Push Bar Spring 10¢	
B-7	MLB-3324	Payout Slide Spring (Use on Brass Slides)	AH	MLB-7062-CSP	Payout Slide Stop Lever 5¢, 10¢, 25¢
	MLB-4115	Payout Slide Spring (Use on steel Slides)		MLB-69-C-CSP	Payout Slide Stop Lever 50¢
C	MLB-6758-A-CSP	5¢ Payout Slide Cover Assem.	AJ	MLB-160	Extension Spring (7062-CSP)
	MLB-7393-CSP	10¢ Payout Slide Cover Assem.	AK	MLB-444-A	Timing Lever Support
	MLB-6760-CSP	25¢ Payout Slide Cover Assem.	AL	MLB-2144	Timing Lever Lock
	MLB-6934-CSP	50¢ Payout Slide Cover Assem.	AM	DE-25B	Timing Lever Lock Shoulder Screw
D	MLB-3439	Payout Slide Stop 5¢-25¢	AN	MLB-4295	Shoulder Screw (3310-A)
	MLB-3318	Payout Slide Stop 10¢	AP	MLB-3341	Extension Spring (3310-A)
	MLB-1902-B	Payout Slide Stop 50¢	AR	MLB-9118	Disc Stop Lever
E	MLB-7463-CSP	J.P. Trip Lever & Bracket Assem.	AS	MLB-6474	Torsion Spring
	MLB-7640	Shoulder Screw (10¢)	AT	MLB-6473	Disc Stop Lever Inner
F	MLB-8398-CSP	Reel Operating Lever Assem.	AW	MLB-2765-A-CSP	Reel Timing Lever Assem. 5¢, 10¢, 25¢
	MLB-4060-CSP	Extension Spring & Clip Assem.		MLB-3659-A-CSP	Reel Timing Lever Assem. 50¢
G	MLB-8173-CSP	Extension Spring & Clip Assem.	AX	MLB-2843	Reel Timing Lever Connecting Link
	MLB-3310-A	Award Check Release Push Bar	AU	MLB-2721	Reel Brake Lever Pin
K	MLB-3340-A	Washer	AV	4GV-80	Shoulder Screw
	CS-61-A	Shoulder Screw	AY	MLB-2782-CSP	L.H. Side Frame
L	MLB-5999-CSP	Check Tube Shutoff Lever Assem. 5¢	AZ	MLB-8337-CSP	Payout Guide & Bracket Assem.
	MLB-2921-R-CSP	Check Tube Shutoff Lever Assem. 10¢	BB	MLB-1118	Payout Slide Lock 5¢, 10¢, 25¢
	MLB-2788-CSP	Check Tube Shutoff Lever Assem. 25¢		MLB-7462	Payout Slide Lock 50¢
M	MLB-3283-CSP	Check Tube Shutoff Lever Assem. 50¢		MLB-1119	Payout Slide Lock Spring
	MLB-2730	Check Tube Shutoff Lever Shoulder Screw		MLB-674	Payout Slide Lock Shoulder Screw
	MLB-3149	Check Tube Shutoff Lever Shoulder Screw	BC	MLB-7601-CSP	Lower Coin Chute Assembly 5¢, 10¢, 25¢
P	MLB-3245	Check Tube Shutoff Lever Shoulder Screw		FOK-4173-CSP	Lower Coin Chute Assembly 50¢
	MLB-2790-CSP	Check Tube Shutoff Lever Latch Assem.	BD	DE-11-C SHORT	Shoulder Screw
R	MLB-2790-CSP	Check Tube Shutoff Lever Latch Assem.	DE	MLB-8497-1	Service Post - 5¢
	MLB-2790-CSP	Check Tube Shutoff Lever Latch Assem.		MLB-8497-2	Service Post 10¢
S	MLB-2790-CSP	Check Tube Shutoff Lever Latch Assem.		MLB-8497-3	Service Post 25¢
	MLB-2790-CSP	Check Tube Shutoff Lever Latch Assem.		MLB-8497-4	Service Post 50¢
			BF	MLB-1146	Payout Slide Stop Stud
			BC	MLB-2680-A-CSP	Payout Slide Bumper Assem.

PHOTO-#4

SEE LAST PAGE  
FOR REEL DISCS  
AND REEL STRIPS

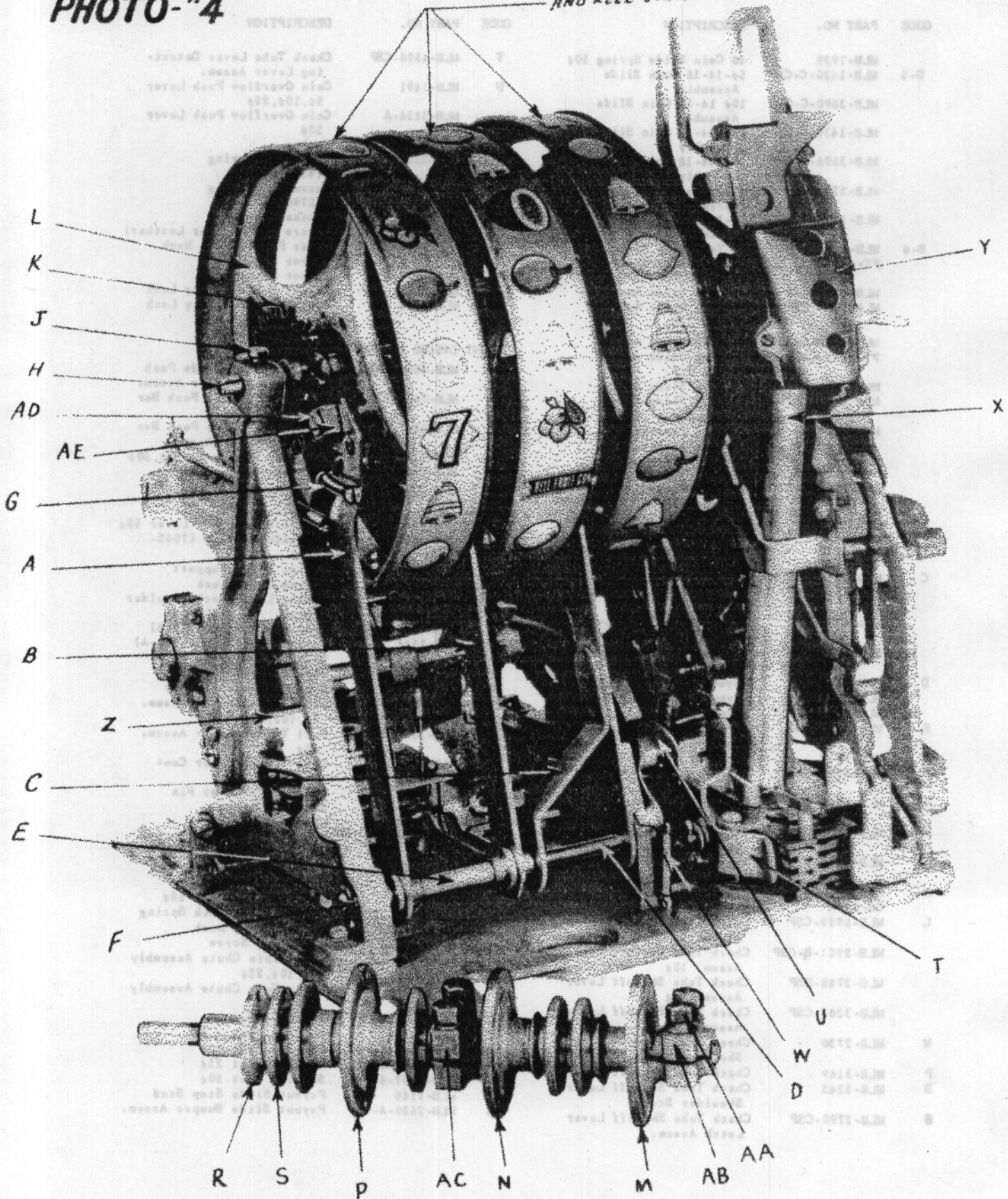


PHOTO #4

VIEW - MECHANISM FRONT

<u>CODE</u>	<u>PART NO.</u>	<u>DESCRIPTION</u>
A	MLB-5215-B-CSP	1st. Reel Stop Lever Assembly_____
B	MLB-7919-CSP	2nd. Reel Stop Lever Assembly_____
C	MLB-5214-B-CSP	3rd. Reel Stop Lever Assembly_____
D	MLB-2724-B	Reel Stop Lever Shaft_____
E	STD-734	Reel Stop Lever Spacer_____
F	BDM-662	Clip_____
G	D-620	Extension Spring_____
H	MLB-7913	Reel Shaft_____
J	AGV-80	Shoulder Screw_____
K	MLB-3329	Reel Stop Star_____
L	MLB-722-A-CSP	Reel Assembly_____
M	MLB-2506-A	1st. Reel Hub_____
N	MLB-2507-A	2nd. Reel Hub_____
P	MLB-34-B	3rd. Reel Hub_____
R	MLB-77-C-CSP	1st. Reel Disc Bearing & Hub Assem._____
S	MLB-76-C-CSP	2nd. Reel Disc Bearing & Hub Assem._____
T	MLB-2823	Jackpot Push Bar 5¢, 10¢, 25¢_____
	MLB-3726-A	Jackpot Push Bar 50¢_____
U	MLB-2773-CSP	Fan Stop Lever Assem._____
W	MLB-107	Extension Spring_____
X	MLB-2770-A-CSP	Coin Tube Assembly 5¢_____
	MLB-2910-B-CSP	Coin Tube Assembly 10¢_____
	MLB-2900-A-CSP	Coin Tube Assembly 25¢_____
	MLB-3184-A-CSP	Coin Tube Assembly 50¢_____
Y	MLB-2676	Check Tube Cover 5¢, 10¢, 25¢_____
	MLB-3104	Check Tube Cover 50¢_____
Z	MLB-2750-CSP	Felt Pad & Bracket Assembly_____
AA	MLB-1379	Hexagon Head Bolt_____
AB	MLB-2435	Service Clamp (1st. Hub)_____
AC	MLB-2436	Service Clamp (2nd. Hub)_____
AD	MLB-5170-A	Shoulder Stud_____
AE	MLB-5171-A	Reel Stop Lever Block_____

# PHOTO-#5

DESCRIPTION

CODE PART NO.

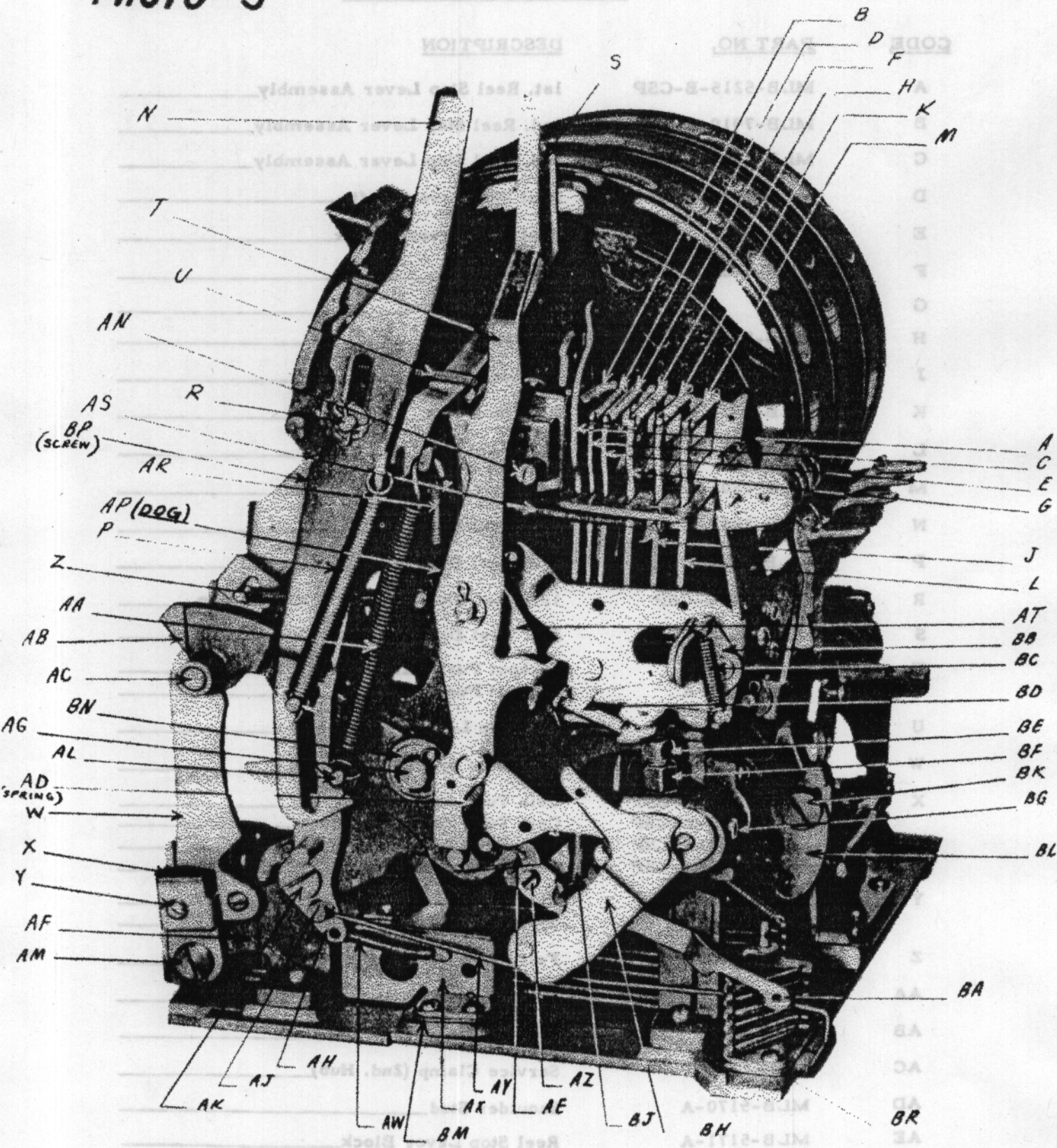


PHOTO #5

VIEW - R.H. SIDE

CODE	PART NO.	DESCRIPTION	CODE	PART NO.	DESCRIPTION
A	MLB-580	20 Payout Lever_____	AJ	PV-728	Shoulder Screw_____
B	MLB-7469	Extension Spring (20)_____	AK	CS-60	Shoulder Screw_____
C	MLB-9080	18 Payout Lever 21 Bell_____	AL	MLB-2217	Spring Hook Spacer_____
D	MLB-8142	Extension Spring_____	AM	MLB-2237	Shoulder Screw_____
E	MLB-3422	18 Payout Lever 5¢, 50¢_____	AN	MLB-1798	Shoulder Stud (5¢-10¢)_____
	MLB-2178	18 Payout Lever 10¢_____		MAB-121	Shoulder Stud (25¢)_____
	MLB-7253	18 Payout Lever 25¢_____	AP	MLB-485-C	Operating Lever Dog_____
F	MLB-102-A	Extension Spring (18)_____	AR	JR-597-A	Extension Spring_____
O	MLB-3421	14 Payout Lever 5¢, 50¢_____	AS	MLB-1887	Extension Spring_____
	MLB-2177	14 Payout Lever 10¢_____	AT	MLB-1985-CSP	Overflow Push-out Lever Assem._____
	MLB-7252	14 Payout Lever 25¢_____	AW	MLB-2863	Extension Spring_____
H	MLB-102-A	Extension Spring (14)_____	AX	MLB-650-B	Lower Payout Lever Guide 5¢_____
J	MLB-3420	10 Upper Payout Lever 5¢, 50¢_____		MLB-3649	Lower Payout Lever Guide 10¢_____
	MLB-2176	10 Upper Payout Lever 10¢_____		MLB-3429	Lower Payout Lever Guide 25¢_____
	MLB-7251	10 Upper Payout Lever 25¢_____		MLB-3610	Lower Payout Lever Guide 50¢_____
K	MLB-104-A	Extension Spring (10)_____	AY	MLB-1162	Jackpot Loading Wire_____
L	MLB-3419	2/5 Upper Payout Lever 5¢, 50¢_____	AZ	DE-94-A	Shoulder Screw_____
	MLB-2179	2/5 Upper Payout Lever 10¢_____	BA	MLB-552	Check Tube Loading Arm_____
	MLB-7250	2/5 Upper Payout Lever 25¢_____	BB	MLB-1830-B-CSP	Anti-Check Payout Base Assembly_____
M	MLB-102-A	Extension Spring (2/5)_____	BC	MLB-1884	Extension Spring_____
N	MLB-2624	Coin Adv. Bar Operating Lever_____	BD	MLB-2738	Extension Spring_____
P	MLB-8525-CSP	Extension Spring_____	BE		3/8-16 X 1 Sq. Hd. Set Scr. Cup Point_____
R	STD-122 old style MLB-3062	Extension Spring Not Shown Shoulder Stud_____	BF	MLB-591	Hex Nut_____
S	MLB-2899-CSP	Coin Detector Operating Lever & Rubber Bumper_____	BG	MLB-82	Operating Fork Stop Pin_____
	MLB-7857	Rubber Bumper_____	BH	MLB-7426-CSP	Release Lever Assem._____
		S-490 x 7/32 Tubular rivets -	BJ	MLB-1842	Extension Spring_____
T	MLB-2761-A-CSP	Check Detector Operating Arm Assem._____	BK	CS-60	Shoulder Screw_____
U	MLB-2862	Extension Spring_____	BL	MLB-2751-A-CSP	Payout Slide Push Bar Operating Lever 5¢, 25¢_____
W	MLB-3454-A-CSP	Operating Lever Lock Assem._____		MLB-3694-A-CSP	Payout Slide Push Bar Operating Lever 10¢_____
X	MLD-2621	Rubber Bumper_____		MLB-4174-A-CSP	Payout Slide Push Bar Operating Lever 50¢_____
Y	MLB-2601	Rubber Bumper Retainer_____		MLB-2605	Payout Slide Push Bar Link_____
Z	MLB-3442-A	Extension Spring_____		MLB-2754-CSP	Payout Slide Push Bar Assem. & Pin_____
AA	MLB-2896-A-CSP	Extension Spring & Hook Assem._____	BM	MLB-3417	Payout Lever Guide Shim 5¢
	MLB-510	Spring Hook Screw_____		MLB-7392	Payout Lever Guide Shim 10¢
	MLB-511	Spring Hook_____		MLB-7457	Guide Shim 10¢
AB	FOK-3297-A-CSP	Main Operating Lever & Pin Assem._____		MLB-4147	Payout Lever Guide Shim 25¢ & 50¢_____
AC	MLB-3814	Shoulder Stud_____	BN	OWL-118-A	Tin Washer -
	MLB-3813	Stud Roller_____	BP	MLB-367-A	Shoulder Screw_____
AD	MLB-2738	Extension Spring_____	BR	MLB-3418-A	Payout Lever Bracket Shim (Lower) 5¢-25¢_____
	DE-11-C-Short	Spring Shoulder Screw_____		MLB-7608	Payout Lever Bracket Shim (Lower) 10¢_____
AE	MLB-2805	Operating Fork Dog_____			
AF	MLB-9122-CSP	R.H. Side Frame Assem._____			
AG	MLB-80	Shoulder Stud_____			
AH	MLB-2759-CSP	Operating Lever Stop & Pin Assem._____			



PHOTO #6

VIEW - BACK

<u>CODE</u>	<u>PART NO.</u>	<u>DESCRIPTION</u>
A	MLB-8135-CSP MLB-7477-CSP Not Shown	Counter Assembly (For 7-7-7) Counter Assembly (For Jackpot)
B	MLB-4231-A-CSP	Operating Fork Assem.
C	MLB-9120-CSP	Disc Stop Lever Assem.
D	STD-850	Reel Stop Lever Ext. Spring
E	MLB-290	Wing Nut
F	MLB-7662-CSP	Clock Assembly - Complete - See Fig. #9
G	MLB-2860-B MLB-5904	Clock Spring (5¢-10¢-25¢) Clock Spring (50¢)
H	MLB-7658-CSP	Timing Lever Bracket & Stud Assem.
J	MLB-7659-CSP	Timing Lever & Hub Assem.
K	MLB-7657	Timing Lever Adj. Screw & 8-32 Hex Nut
L	MLB-7649	Payout Guide Slide Push Bar Guide
M	MLB-7880	Lower Payout Lever Fulcrum
N	MLB-7877 MLB-7878	Payout Lever Brkt. Lower (5¢-25¢) Payout Lever Brkt. Lower (10¢)
P	MLB-3758-CSP	Lower Payout Lever Guard Assembly
R	MLB-7882 MLB-7886	Payout Lever Bottom 5¢-25¢-50¢ Payout Lever Bottom 10¢
S	MLB-7881 MLB-7885	Payout Lever Lower 5¢-25¢-50¢ Payout Lever Lower 10¢
T	MLB-7884 MLB-7888 MLB-7889 MLB-2129	Jackpot Payout Slide Lever - Lower 5¢-25¢ Jackpot Payout Slide Lever - Lower 10¢ Jackpot Payout Slide Lever - Lower 50¢ Extension Spring (Upper Lever)
U	MLB-107	Extension Spring (5 Upper)
W	MLB-6146	Extension Spring (1 Bottom)
X	MLB-155	Reel Brake Wire
Z		8-32 x 1 3/4 Round Head Machine Screw
AA	MLB-9079 MLB-53-A	Payout Lever Bracket (Lower) Payout Lever Fulcrum (Upper)
AB	MLB-57-A	Upper Payout Push Back Lever Pin
AC	MLB-3009-CSP MLB-1079	Non Beating Slide Lever Assem. Extension Spring

# PHOTO-#7

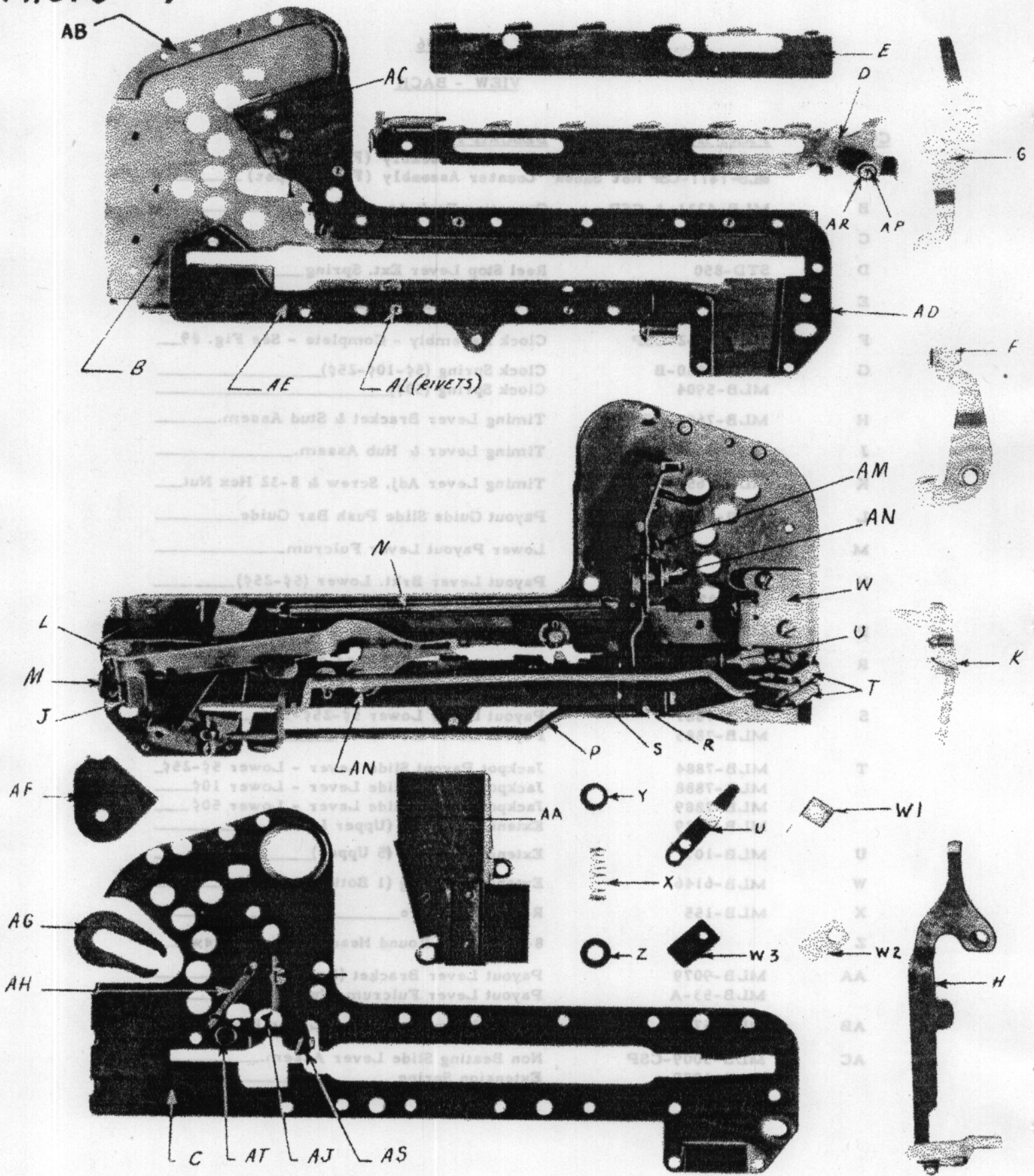


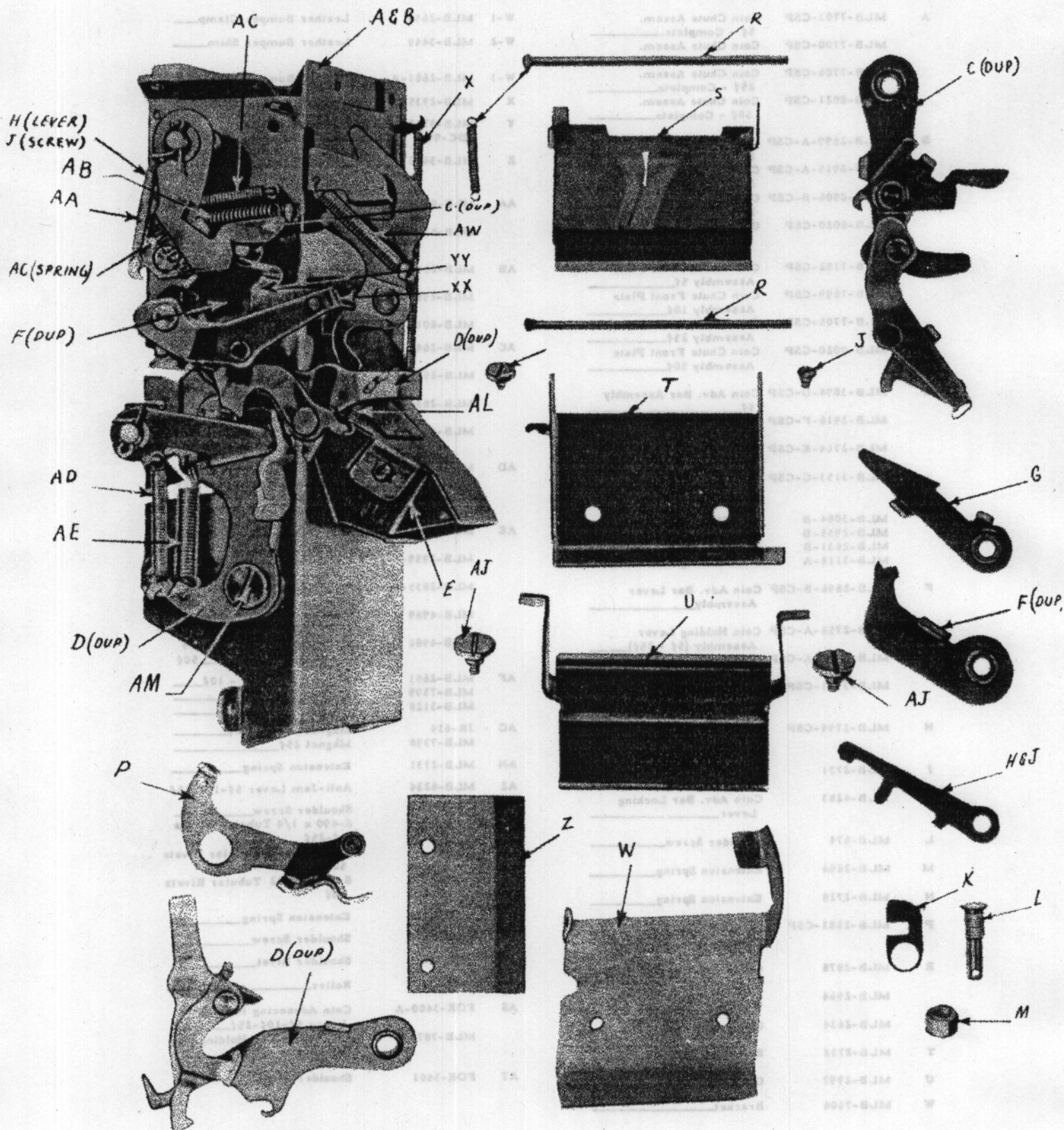


PHOTO #7

VIEW - COIN CHUTE ASSEMBLY

CODE	PART NO.	DESCRIPTION	CODE	PART NO.	DESCRIPTION
A	MLB-7703-CSP	Coin Chute Assem. 5¢ - Complete	W-1	MLB-2655	Leather Bumper Clamp
	MLB-7700-CSP	Coin Chute Assem. 10¢ - Complete	W-2	MLB-3449	Leather Bumper Shim
	MLB-7706-CSP	Coin Chute Assem. 25¢ - Complete	W-3	MLB-2661-A	Leather Bumper
	MLB-8021-CSP	Coin Chute Assem. 50¢ - Complete	X	MLB-2735-A	Coil Spring
B	MLB-2699-A-CSP	Coin Chute Back Plate & Spacer Assem. 5¢	Y	MLB-3723	Washer (Small)
	MLB-2915-A-CSP	Coin Chute Back Plate & Spacer Assembly 10¢		HSC-99	Washer (Large)
	MLB-2906-B-CSP	Coin Chute Back Plate & Spacer Assembly 25¢	Z	MLB-3423	Washer (Bottom - Thick)
	MLB-8020-CSP	Coin Chute Back Plate & Spacer Assembly 50¢	AA	MLB-8341-CSP	Slug Chute Cover Assem. 5¢-10¢-25¢
C	MLB-7702-CSP	Coin Chute Front Plate Assembly 5¢		MLB-8342-CSP	Slug Chute Cover Assem. 50¢
	MLB-7699-CSP	Coin Chute Front Plate Assembly 10¢	AB	MLB-2641	Coin Chute Top Spacer 5¢-25¢
	MLB-7705-CSP	Coin Chute Front Plate Assembly 25¢		MLB-2956-A	Coin Chute Top Spacer 10¢
	MLB-9020-CSP	Coin Chute Front Plate Assembly 50¢		MLB-8015	Coin Chute Top Spacer 50¢
D	MLB-3094-D-CSP	Coin Adv. Bar Assembly 5¢	AC	MLB-2642	Coin Chute Middle Spacer 5¢
	MLB-2916-F-CSP	Coin Adv. Bar Assembly 10¢		MLB-2957-A	Coin Chute Middle Spacer 10¢
	MLB-2764-E-CSP	Coin Adv. Bar Assembly 25¢		MLB-2834	Coin Chute Middle Spacer 25¢
	MLB-3153-C-CSP	Coin Adv. Bar Assembly 50¢		MLB-8017	Coin Chute Middle Spacer 50¢
E	MLB-3064-B	Coin Holding Bar 5¢	AD	MLB-2643	Coin Chute End Spacer 5¢
	MLB-2955-B	Coin Holding Bar 10¢		MLB-2958-A	Coin Chute End Spacer 10¢
	MLB-2631-B	Coin Holding Bar 25¢		MLB-2831	Coin Chute End Spacer 25¢
	MLB-3118-A	Coin Holding Bar 50¢		MLB-8016	Coin Chute End Spacer 50¢
F	MLB-2696-B-CSP	Coin Adv. Bar Lever Assembly	AE	MLB-2644	Coin Chute Bottom Spacer 5¢
G	MLB-2758-A-CSP	Coin Holding Lever Assembly (5¢ - 25¢)		MLB-2959-B	Coin Chute Bottom Spacer 10¢
	MLB-2917-A-CSP	Coin Holding Lever Assembly (10¢)		MLB-2835-A	Coin Chute Bottom Spacer 25¢
	MLB-3171-CSP	Coin Holding Lever Assembly (50¢)		MLB-4989	Coin Chute Bottom Spacer 50¢
H	MLB-2799-CSP	Coin Bar Release Lever Assembly		MLB-4988	Coin Chute Bottom Spacer Extension 50¢
J	MLB-2731	Extension Spring	AF	MLB-2651	Magnet Cover 5¢ - 10¢
K	MLB-4283	Coin Adv. Bar Locking Lever		MLB-7399	Magnet Cover 25¢
L	MLB-674	Shoulder Screw		MLB-3128	Magnet Cover 50¢
M	MLB-2854	Extension Spring	AG	JR-614	Magnet 5¢-10¢-50¢
N	MLB-2728	Extension Spring		MLB-7398	Magnet 25¢
P	MLB-2683-CSP	Coin Detector Lever Assembly	AH	MLB-2731	Extension Spring
R	MLB-2878	Check Detector Pin (5¢-25¢)	AI	MLB-6234	Anti-Jam Lever 5¢-10¢-25¢
	MLB-2964	Check Detector Pin (10¢)	AK	MSG-190	Shoulder Screw
S	MLB-2634	Check Detector Lever	AL		S-490 x 1/4 Tubular Rivets 5¢-25¢
T	MLB-2732	Extension Spring			S-490-X 9/32 Tubular Rivets 50¢
U	MLB-2997	Coin Advancing Bar Clip	AM	MLB-2873	S-490 x 7/32 Tubular Rivets 10¢
W	MLB-7404	Bracket	AN	MLB-2875	Extension Spring
			AP	STD-533	Shoulder Screw
			AR	STD-534	Shoulder Rivet
			AS	FOK-3400-A	Roller
				MLB-7876	Coin Advancing Holding Lever 5¢-10¢-25¢
					Coin Advancing Holding Lever 50¢
			AT	FOK-3401	Shoulder Rivet

# PHOTO-#8



**PHOTO #8**

**VIEW - JACKPOT ASSEMBLY**

<u>CODE</u>	<u>PART NO.</u>	<u>DESCRIPTION</u>
A	MLB-7505-CSP	5¢ Jackpot Assembly - Large _____
	MLB-7504-CSP	10¢ Jackpot Assembly - Large _____
	MLB-7505-CSP	25¢ Jackpot Assembly - Large _____
	MLB-3677-C-CSP	50¢ Jackpot Assembly - Large _____
B	MLB-2771-B-CSP	Jackpot Mechanism Base Assem. 5¢ - 25¢ _____
	MLB-3252-CSP	Jackpot Mechanism Base Assem. 10¢ _____
	MLB-3164-B-CSP	Jackpot Mechanism Base Assem. 50¢ _____
C	MLB-2791-B-CSP	Reserve Operating Lever Assembly _____
D	MLB-2792-A-CSP	Safety Locking Lever Assem. 5¢-10¢-25¢ _____
	MLB-3173-A-CSP	Safety Locking Lever Assem. 50¢ _____
E	MLB-2796-CSP	Jackpot Back Chute Assem. 5¢-10¢-25¢ _____
	MLB-3166-A-CSP	Jackpot Back Chute Assem. 50¢ _____
F	MLB-2897-CSP	Reserve Retainer Locking Lever Assem. _____
G	MLB-7458-CSP	Jackpot Locking Lever Assem. _____
H	MLB-3631	Reserve Retainer Locking Latch (See J) _____
J	MLB-3722	Shoulder Screw (For H) _____
K	MLB-3070	Hole Cover 5¢-10¢-25¢ _____
L	MLB-3073	Stud _____
M	MLB-3074	Stud Nut _____
P	MLB-3010-B-CSP	Jackpot Dump Lever Assembly _____
R	MLB-2746-A	Door Shaft _____
S	MLB-5524-CSP	Coin Deflector Assem. (5¢-25¢) _____
	MLB-2919-CSP	Coin Deflector Assem. (10¢) _____
	MLB-3109-A	Coin Deflector (50¢) _____
T	MLB-3039-B	Reserve Retainer (Large) 5¢-25¢ _____
	MLB-4470-CSP	Reserve Retainer (Small) 5¢ _____
	MLB-3251-CSP	Reserve Retainer 10¢ _____
	MLB-4724-CSP	Reserve Retainer (Small) 25¢ _____
	MLB-4064-CSP	Reserve Retainer 50¢ _____
U	MLB-3046	Jackpot Trap Door 5¢-25¢ (Large) _____
	MLB-3043	Jackpot Trap Door 5¢-25¢ (Small) _____
	MLB-3099	Jackpot Trap Door 10¢ (Small) _____
	MLB-2821	Jackpot Trap Door 10¢ (Large) _____
	MLB-3108-A	Jackpot Trap Door 50¢ _____
W	MLB-3045	Jackpot Trap Door _____
X	MLB-7506	Extension Spring 5¢-10¢-25¢ _____
	MLB-3145	Extension Spring 50¢ _____
Y	MLB-107	Extension Spring (T to R) 5¢-10¢-25¢ _____
	MLB-2725	Extension Spring (T to R) 50¢ _____
Z	MLB-7424	Guard Plate (5¢-10¢-25¢) _____
AA	MLB-1511	Extension Spring _____
AB	MLB-1842	Extension Spring _____
AC	MLB-2738	Extension Spring _____
AD	MLB-3144	Extension Spring _____
AE	MLB-1842	Extension Spring _____
AH	MLB-3057-A	Shoulder Screw _____
AJ	MLB-2881	Shoulder Screw _____
AL	STD-53	Extension Spring _____
AM	MLB-1593-B	Shoulder Screw _____
AW	MLB-2871	Extension Spring _____

PHOTO-#9

AD

AF-(CAST)

AE (COMP)

AH

AG

AK SCREW

AM

AN

AL SPRING

AJ

AS

AR

AQ

B

CLOCK SHAFT-P  
THRUST WASHER-Q

J

Z

AA

W

R2

G SPRING

L

K

M

A(CLOCK ASSEM)

F(ROD)  
H(RIVET)

E

C

X  
U (SCREW)

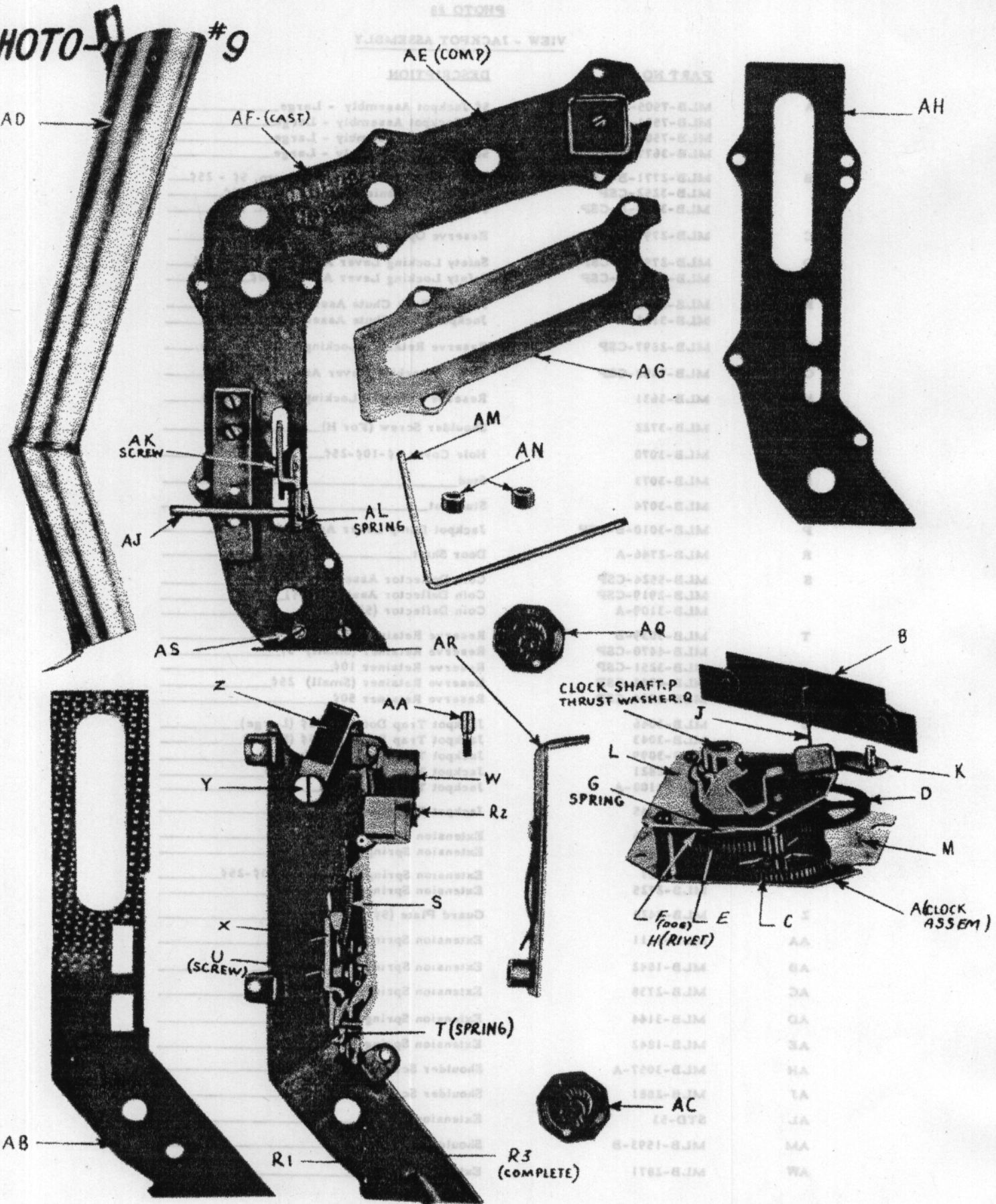
T (SPRING)

AC

AB

R1

R3 (COMPLETE)



**PHOTO #9**

**VIEW - CLOCK & CHUTES DETAILS**

<b>CODE</b>	<b>PART NO.</b>	<b>DESCRIPTION</b>	<b>CODE</b>	<b>PART NO.</b>	<b>DESCRIPTION</b>
A	MLB-7565-CSP	Clock Assembly (With Roller on Arm)	W	MLB-4061-CSP	Award Check Rel. Arm & Ext. Assem.
	MLB-7662-CSP	Clock Assembly (With- out Roller on Arm)	X	MLB-7732-CSP	Award Check Rel. Finger Assem.
B	MLB-3299-CSP	Clock Fan	Y	CS-62	Shoulder Screw
C	MLB-7574-CSP	Clock Idler Gear Assembly	Z	MLB-3333	Award Check Stop
D	MLB-1298-CSP	Clock Fan Gear Assem.	AA	BD-6084	Award Check Stop Stud
E	MLB-7593-CSP	Large Clock Gear Assem. (Includes E.F.G.)	AB	MLB-9048	Token Chute Spacer
	MLB-7580-CSP	Large Clock Gear Assem.	AC	MLB-8144-2	5¢ Token 7-7-7 Copper
F	MLB-745-A	Clock Ratchet Pawl		MLB-8144-3	10¢ Token 7-7-7 Chrome
G	MLB-782-B	Clock Dog Spring		MLB-8144-4	25¢ Token 7-7-7 Brass
				MLB-8144-5	50¢ Token 7-7-7 Black
H	MLB-7585	Shoulder Rivet	AD	MLB-8429-1-CSP	Coin Overflow Tube Assem. 5¢-10¢-25¢
J	DE-212-CSP	Clock Fan Shaft Assem.		MLB-8445-1-CSP	Coin Overflow Tube Assem. 50¢
K	MLB-3011-A-CSP	Clock Arm Assem. (With Roller on Arm)	AE	MLB-7873-CSP	Award Chute Assem. Comp. (Also Order Code AR)
	MLB-7661-CSP	Clock Arm Assem. (With- out Roller on Arm)	AF	MLB-7868-1	Award Chute Casting
L	MLB-7564-CSP	Top - Clock Plate Assem.	AG	MLB-7869	Chute Spacer - Upper
M	MLB-7563-CSP	Bottom - Clock Plate Assembly	AH	PT-5129	Chute Spacer - Lower
P	MLB-7584-CSP	Clock Ratchet & Shaft Assem.	AJ	MLB-8170-CSP	Token Ejector Assembly
Q	MLB-5419	Spacer Washer	AK	MLB-674	Shoulder Screw
R-1	MLB-9028-1	Award Check Chute	AL	MLB-3317	Extension Spring
R-2	MLB-984	Cotter Shoulder Pin	AM	MLB-7871	Bracket
R-3	MLB-9024-CSP	<b>NOTE: When ordering for Token Chute Complete, Order 1 MLB-9024-CSP with Code Letter YZ, AA &amp; AB</b>	AN	MLB-7858	Spacer (25¢)
S	MLB-3379	Extension Spring (Long)	AQ	MLB-8143-2	Token Bell - 5¢ Copper
				MLB-8143-3	Token Bell 10¢ Chrome
				MLB-8143-4	Token Bell 25¢ Brass
				MLB-8143-5	Token Bell 50¢ Black
T	MLB-3317	Extension Spring (Short)	AR	MLB-7872-CSP	Chute Support Assembly
U	MLB-674	#8-32 Shoulder Screw	AS	MLB-7806	Token Chute Guard

1ST. REEL DISCS & STRIPS 2/5 PAYOUT

<u>DISC CODE</u>	<u>DISC PART NO.</u>	<u>REEL STRIP FORM NO.</u>	<u>COLOR BACKGROUND OF REEL STRIPS</u>	<u>REMARKS</u>
CH-1	MLB-8505-1	CC-1-1	Gold	Disc must be reworked Melon Melon - Disc must be reworked Disc must be reworked Disc must be reworked
		CC-1-1A	Gold	
		CC-10-1	Gold	
		CC-10-1B	Gold	
		CC-16-1	Black	
		CC-16-1B	Black	
CH-1C	MLB-8505-2	CC-537-1	Silver	
		CC-540	Silver	
		CC-3	Gold	
		CC-10-1A	Gold	
CH-1W	MLB-8505-3	CC-16-1A	Black	
		CC-539	Silver	
W-1	MLB-8505-4	CC-19-1	Silver	Wild 2 on Bell
BOC-1	MLB-8511-1	CC-19-3	Silver	Wild 2 on Bell
BOC-1A	MLB-8511-2	CC-11-1	Silver	Bonus
		CC-11-1A	Silver	Bonus
EJ-1	MLB-9001	CC-11-1B	Silver	Bonus Wording omitted
		CC-17-1	Silver	Numeral 7 on Lemon
EJ-1A	MLB-9001-2	CC-17-1A	Silver	Numeral 7 on Lemon
EJ-1-B	MLB-9001-3	CC-17-1B	Silver	Numeral 7 on Lemon

2ND REEL DISCS & STRIPS 2/5 PAYOUT

CH-2A	MLB-8506-1	CC-1-2	Gold	Melon
		CC-10-2	Gold	
		CC-16-2	Black	
		CC-537-2	Silver	
CH-2AS	MLB-8506-2	CC-9-2	Silver	Melon
		CC-10-2A	Gold	
		CC-12-2	Gold	
		CC-16-2A	Black	
CH-2AC	MIB-8506-3	CC-6-2	Gold	
		CC-7-2	Silver	
BOC-2	MLB-8512-1	CC-11-2	Silver	Bonus
EJ-2	MLB-9002-1	CC-17-2	Silver	Numeral 7 on Orange

3RD. REEL DISCS & STRIPS 2/5 PAYOUT

CH-3A	MLB-8507-1	CC-1-3	Gold	Melon
		CC-10-3	Gold	
		CC-16-3	Black	
		CC-537-3	Silver	
CH-3AS	MLB-8507-2	CC-9-3	Silver	Melon
		CC-10-3A	Gold	
		CC-12-3	Gold	
		CC-16-3A	Black	
BOC-3	MLB-8513-1	CC-11-3	Silver	Bonus
EJ-3	MLB-9003-1	CC-17-3	Silver	Numeral 7 on Bar
EJ-3-B	MLB-9003-2	CC-17-3B	Silver	Numeral 7 on Bar

1ST. REEL DISCS & STRIPS 3/5 PAYOUT

SP-1	MLB-8508-1	CC-2-1	Gold	
		CC-536-1	Silver	
B	MLB-8508-3	CC-5-1	Gold	
		CC-538-1	Silver	
R-1-BC	MLB-8508-4	CC-6-1	Gold	
		CC-7-1	Silver	

2ND. REEL DISCS & STRIPS 3/5 PAYOUT

SP-2	MLB-8509-1	CC-2-2	Gold	
		CC-536-2	Silver	
J-2	MLB-8509-2	CC-52	Gold	
		CC-538-2	Silver	

3RD. REEL DISCS & STRIPS 3/5 PAYOUT

SP-3	MLB-8510-1	CC-2-3	Gold	
		CC-536-3	Silver	



FOR REPAIR PARTS OR  
SERVICE INFORMATION  
OF ANY KIND WRITE:

**Mills**

---

**BELL-O-MATIC CORPORATION**

*Exclusive Manufacturers and Distributors of Mills Bell Products*

**IN ILLINOIS:** 4630 FULLERTON AVE. • CHICAGO 39, ILL. • PHONE-EVERGLADE 4-3727

**IN NEVADA:** 135 LINDEN STREET • RENO, NEVADA • PHONE FA9-2946

SOLE MANUFACTURER OF

*Genuine* **MILLS BELL MACHINES**