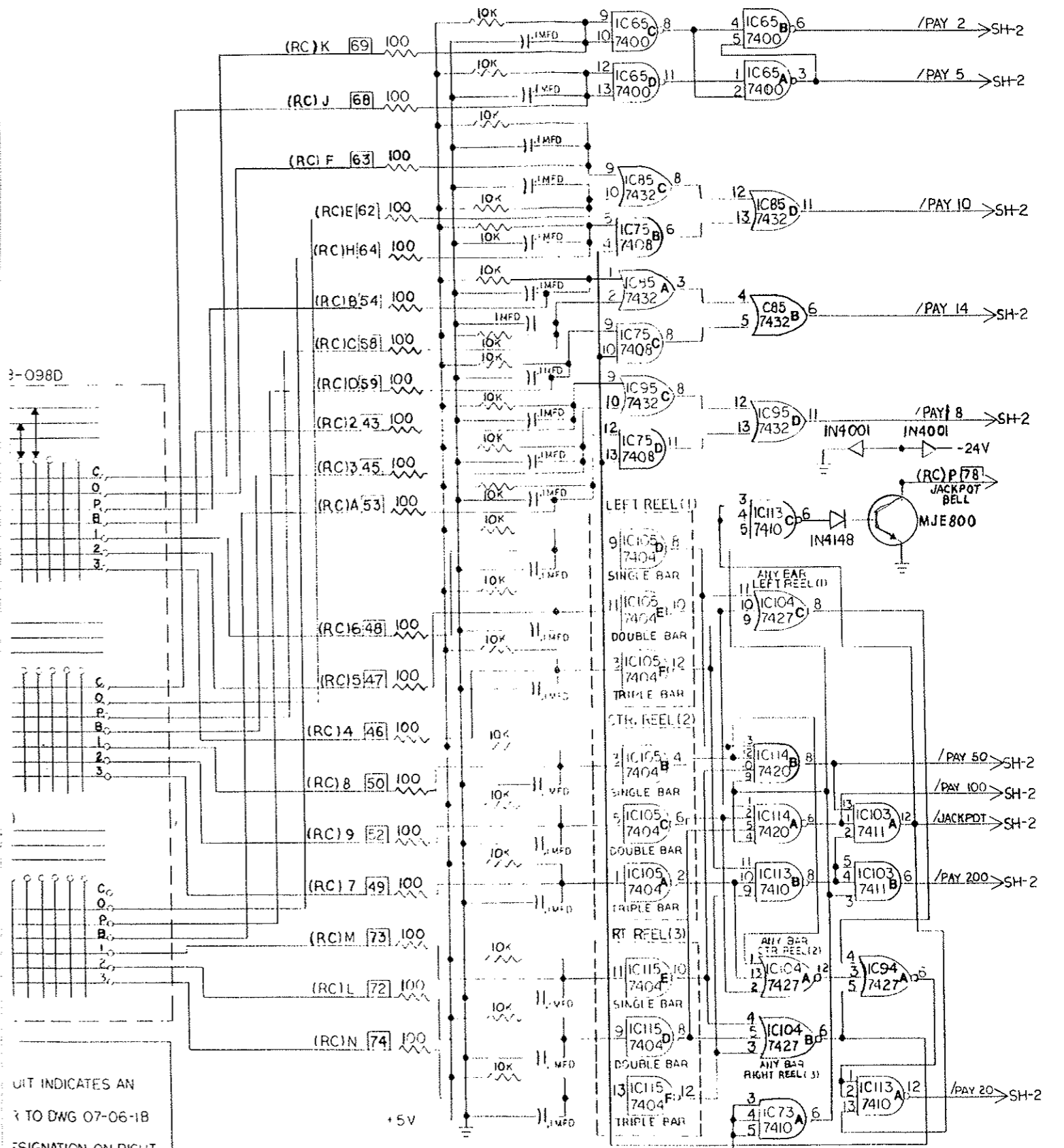


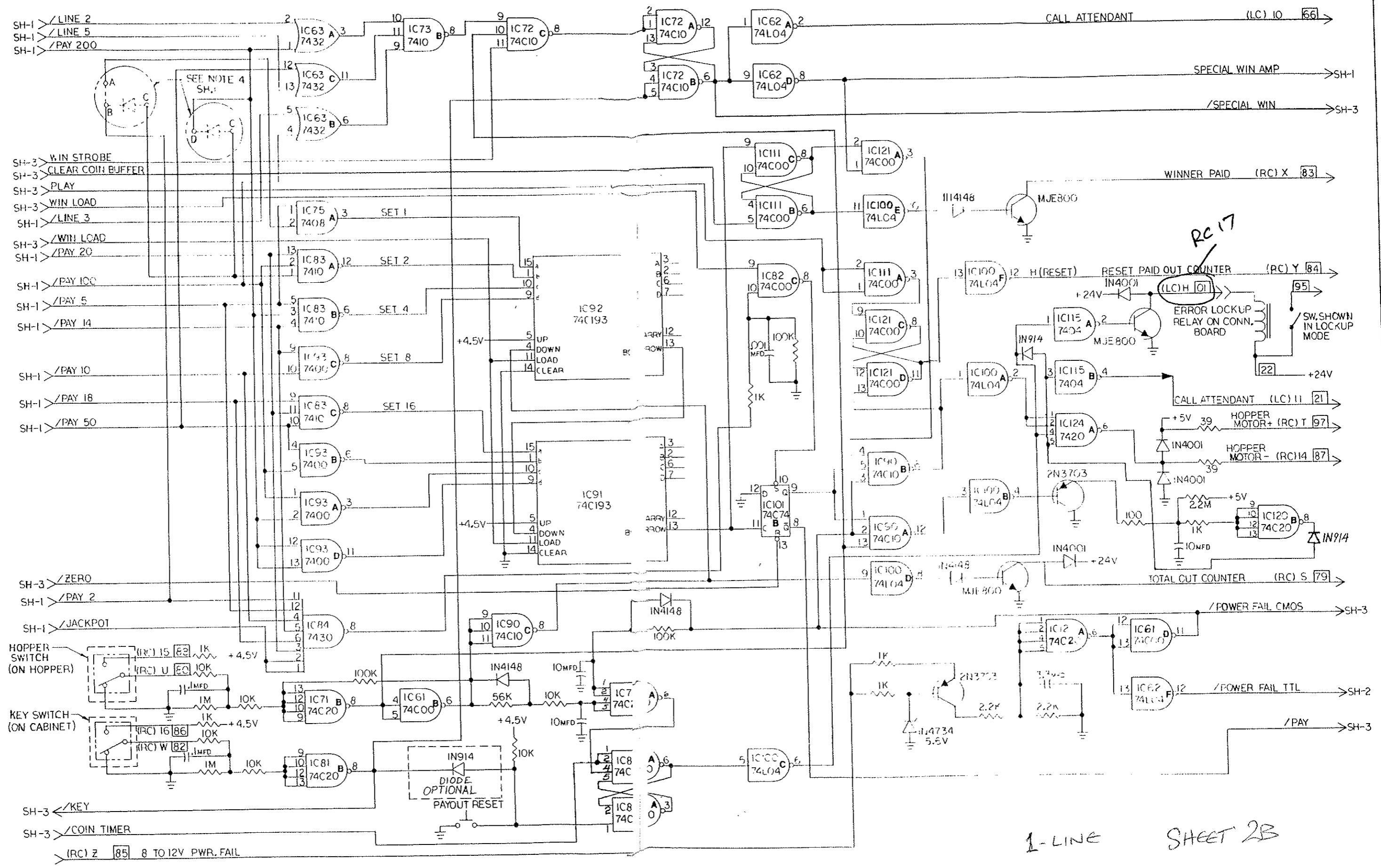
- NOTES
1. SLASH (/) AT A POINT IN THE CIRC DENOTES AN ACTIVE LOW AT STANDBY.
 2. [X] DENOTES WIRE COLOR, REFER FOR DETAILED IDENTIFICATION.
 3. (RC) & (LC) INDICATES TERMINAL DESIGNATION ON RIGHT AND LEFT HAND CONNECTOR TO THE LOGIC BOARD, LETTERS OR NUMERALS FOLLOWING THESE DESIGNATIONS ARE PIN NUMBERS.
 4. ON 2 PAY; JUMPER "D" TO "C"; ON 3 PAY; JUMPER "A" TO "B" AND "C" (POLARITY AS SHOWN) BETWEEN "A" AND "B" RESPECTIVELY, REFER TO DWG. 743-098D SHEET 2.



UNIT INDICATES AN IDENTIFICATION ON RIGHT HAND CONNECTOR TO THE LOGIC BOARD, LETTERS FOLLOWING THESE DESIGNATIONS ARE PIN NUMBERS.

ADD DIODE IN914 BETWEEN "A" & "B" AND "D" & "C" -050 SHEET 2.

1-LINE SHEET 1B



1-LINE SHEET 2B

