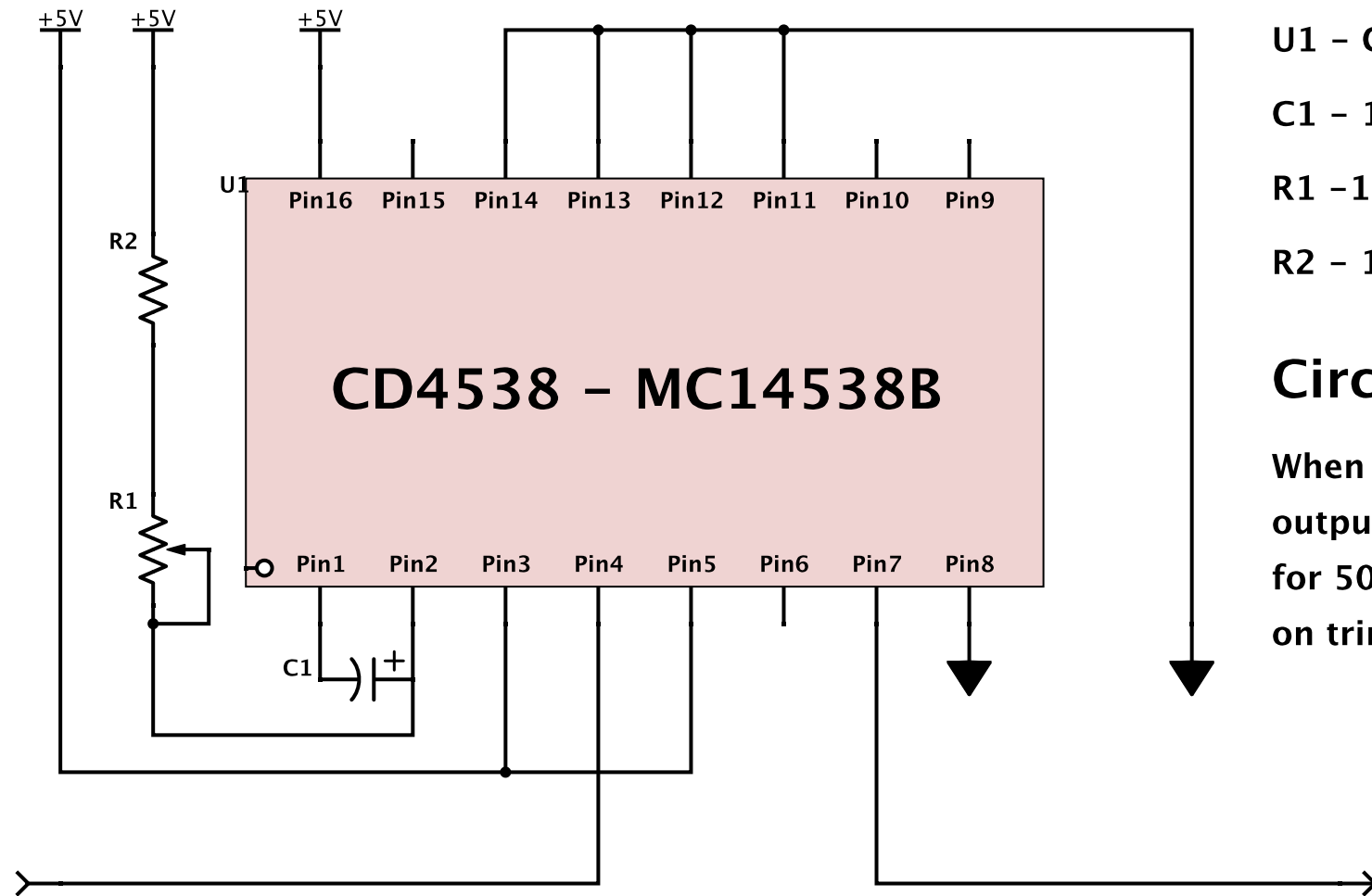


One-Shot circuit using a dual Monostable Multivibrator IC



U1 - CD4538B or MC14538B

C1 - 1.0uF 16V

R1 - 1 megohm trimpot

R2 - 10K

Circuit Operation:

When input signal goes high, output signal goes low for 50 to 500ms depending on trimpot and then resets high

Input to pin 5 of Optocoupler 3

(Collector of Optocoupler is pulled high)

Output to pin 29 of CPU

(Pin 7 of 4538 is logic high during standby)